



## 360 Series Waste & Overflow System

### Installation Manual and User Guide



**OS&B**<sup>™</sup>

# Table of Contents

Overview of Fill&Drain™ .....p. 3

Specification Sheet .....p. 4

Installation Diagrams:

- Tub & Shower with Pressure Balance Valve (v.1).....p. 5
- Tub & Shower with Pressure Balance Valve (v.2).....p. 6
- Tub & Shower with Thermostatic Valve.....p. 7
- Tub Only with Wall Valve only.....p. 8
- Roman (Deck Mounted) Tub Filler.....p. 9

Head Assembly Diagram.....p. 10

Maintenance .....p. 11

Warnings.....p. 11

Trademark/Patent Information .....p. 12

Contact Information.....p. 12



## Overview

The Fill&Drain™ is a plumbing fixture fitting for the bath. It incorporates the water supply spout and the overflow elbow into one unit. A specialized cap safely separates the two functions of water supply and bathwater overflow under the requirements of the National Plumbing Code of Canada, the Ontario Building Code, and other plumbing safety codes across North America.

This testing standard further references a plumbing standard ASME 112.18.3 for submersible plumbing fixture fittings. These codes all reference ASME A112.18.1 / CSA B125.1 & 2 for plumbing fixture supply fittings. Fill&Drain™ is certified by CSA to these Standards.

**Note: OS&B™ recommends that the purchaser/installer consult local code requirements before purchasing and installing Fill&Drain™.**

### Features of this assembly:

- Two check valves for backflow prevention as per ASME A112.18.3
- Two laminar flow aerators rated at 5.6 GPM/25.3 LPM @ 60 psi.
- Forged brass water supply/overflow elbow
- Forged brass decorative cap/spout
- OS&B™ brass waste/overflow assembly
- OS&B™ drain closure

This unit permits installation of a bath without a spout on the wall or as part of a faucet assembly. Since Fill&Drain™ has neither volume control nor tempering function, it must be used in alliance with a water-tempering fitting such as a pressure balance or thermostatic style faucet and a separate spout/shower Positive Action diverter if desired.

**Note: Fill&Drain™ requires a Positive Action Diverter assembly between the Tub & Shower valve and the Fill&Drain™ when installed in a tub/shower application.**

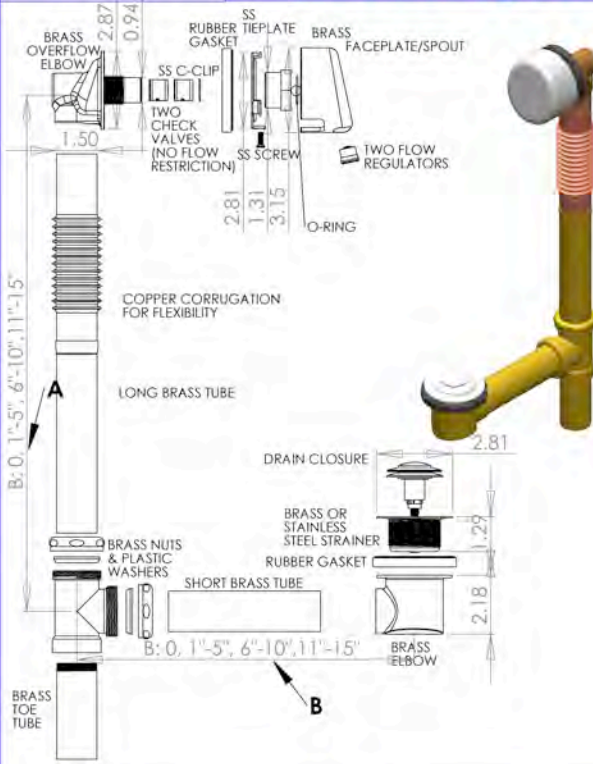


# Specification Sheet



## FILL & DRAIN SERIES

### PRODUCT Specifications



α360xyz  
 BRASS WASTE/OVERFLOWS with  
 - 60/ruugated vertical  
 - retail or wholesale (a)  
 - choice of closure (x)  
 - choice of pipe length (y)  
 - choice of finish (z)  
 - certifications

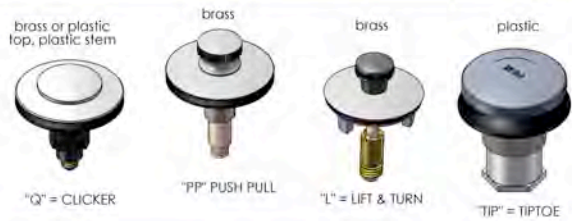
RETAIL OR WHOLESALE (a):  
 "R" = retail product  
 [no prefix] = wholesale

PIPE LENGTH SETS (y):  
 "K" = KIT WITH NO PIPE  
 [no suffix] = (A) 10"-15" & (B) 1'-5"  
 "20" = (A) 16"-20" & (B) 6'-10"  
 "27" = (A) 21"-30" & (B) 11'-15"

FINISHES AVAILABLE (z):  
 BCP = CHROME ON BRASS  
 BN = BRUSHED NICKEL



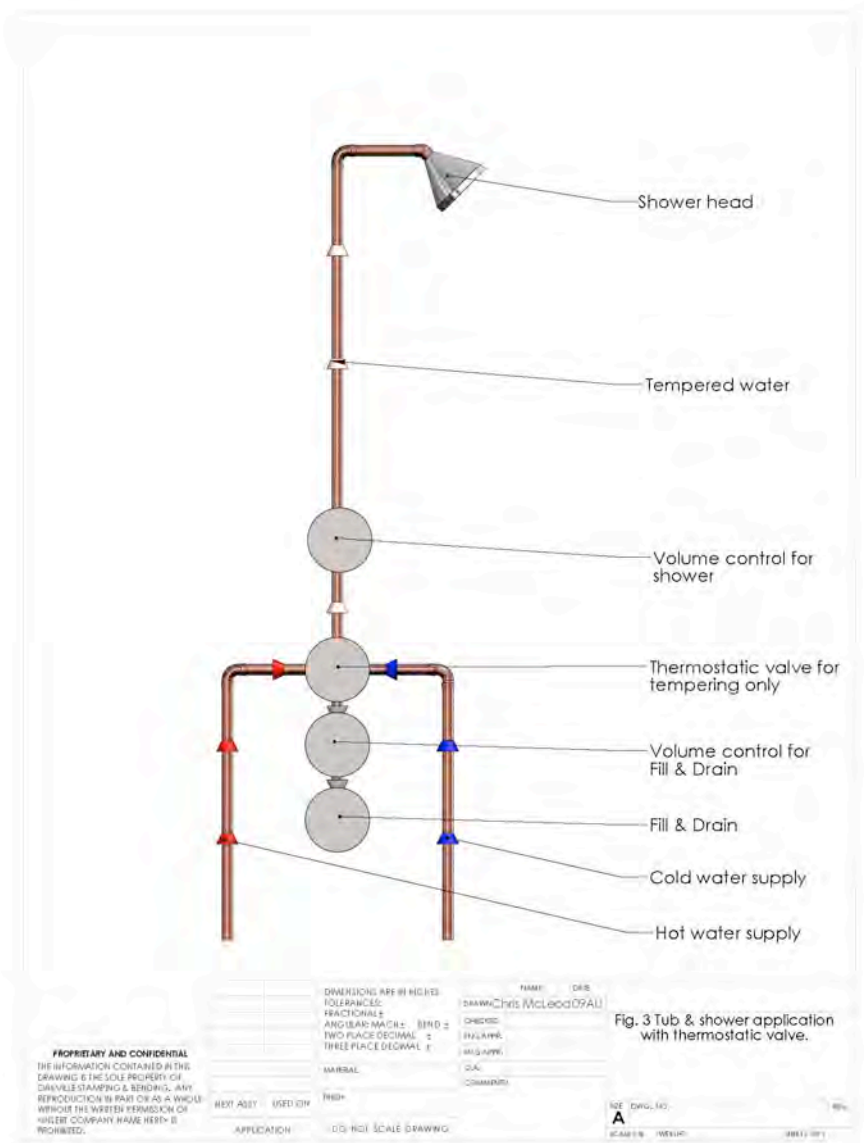
Drawn by: Chris McLeod  
 Date: 2009/Aug/6th  
 Checked by: Mike Pinet  
 Oakville Stamping & Bending Ltd.  
 Units: Inches  
 Scale: 1: 4 (line drawing)  
 1: 5 (illustration)





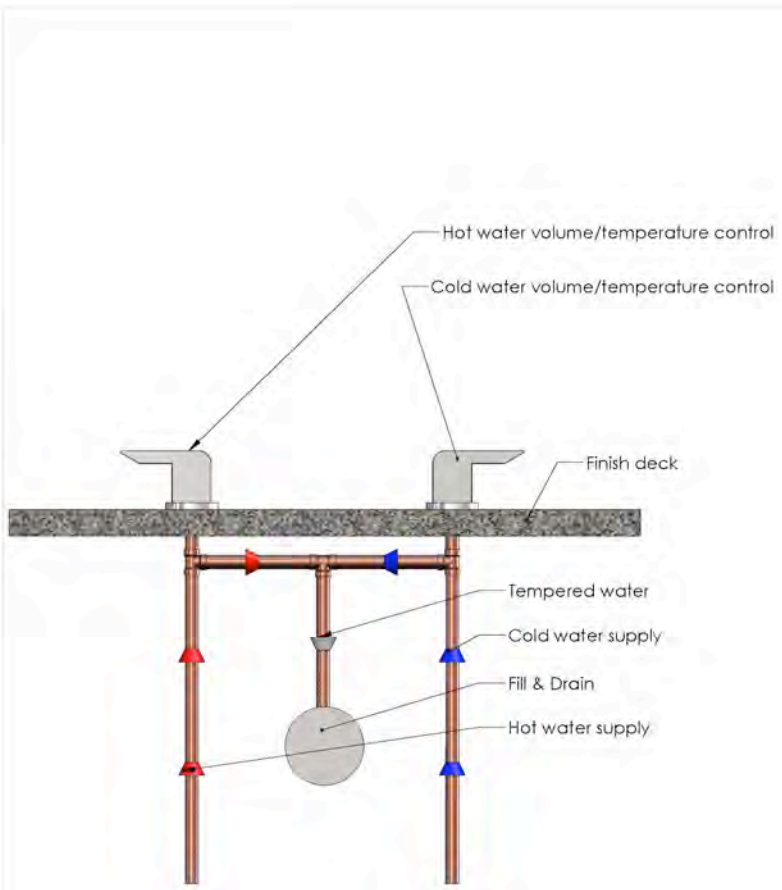


# Installation Diagram: Tub & Shower with Thermostatic Valve





# Installation Diagram: Roman (deck mounted) Tub Filler



**PROPRIETARY AND CONFIDENTIAL**  
 THE INFORMATION CONTAINED IN THIS DRAWING IS THE SOLE PROPERTY OF OS&B. IT IS TO BE USED FOR THE SPECIFIC PROJECT AND LOCATION ONLY. ANY REPRODUCTION IN PART OR AS A WHOLE WITHOUT THE WRITTEN PERMISSION OF OS&B COMPANY NAME HERE-IS PROHIBITED.

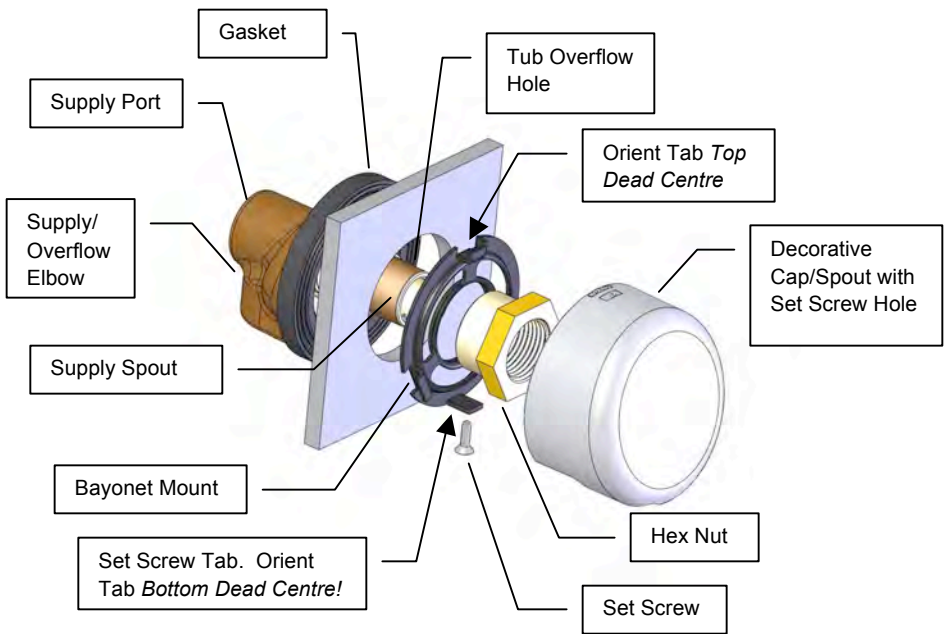
CONVENTIONAL PIPE IN RICHES TOLERANCES	NAME	DWG
FRACTIONAL ±	DRWING	McLeod/PAU
ANGULAR: W/30 ±	CHECKED	
TWO PLACE DECIMAL ±	ENG APPR.	
THREE PLACE DECIMAL ±	MRD APPR.	
	C.A.	
	COMMENTS	
MATERIAL		
DATE		
NEXT ASST	USED ON	
APPLICATION	DO NOT SCALE DRAWING	

Fig. 5 Roman deck mounted tub filler application.

SCALE	DATE	REV
A		



## Head Assembly Diagram, Fill&Drain™



1. **Attach** Gasket to Supply/Overflow Elbow
2. **Insert** Supply Spout through centre of Tub Overflow Hole making sure the Gasket contacts tub surface all the way around
3. **Fix** Hex Nut to Bayonet Mount (**Note: Orient Tab @ Top Dead Centre**) then **tighten** Nut
4. **Orient** Bayonet mount Decorative Cap/Spout to 10 o'clock. Push firmly onto Supply Spout. **Turn** clockwise to 12 o'clock. This will align the Set Screw Hole at bottom of Cap with the Set Screw Tab
5. **Secure** Decorative Cap/Spout to Bayonet Mount with Set Screw (**Note: Failure to properly secure Decorative Cap/Spout could cause serious injury to user**)
6. **Attach** Supply Line Fitting to Supply Port (**Note: If you must adapt a Fitting, please remove Check Valves before soldering & then re-install. Make solder joint before threading into body. Heat can adversely affect the Check Valves**)
7. To **remove Check Valves** refer to page 11 for procedure.

## Maintenance

*Backflow prevention* is effected by two Check Valves located in the supply/overflow elbow. These are likely never to require replacement. However, if you find the Fill&Drain™ spout dripping, this constitutes inspection by a licensed plumber. It is recommended that the Check Valves be removed, the system be flushed and Check Valves be re-installed before Fill&Drain™ is put into operation.

**Procedure for removal/replacement of check valves (refer to Diagram on p.10):**

1. **Turn off** water supply to the faucet
2. **Remove** Set Screw on bottom of Decorative Cap/Spout
3. **Twist** Cap counter-clockwise to 10 o'clock and remove from Bayonet Mount
4. Use cir-clip pincers to **remove** Cir-Clip
5. Use needle nose pliers to **remove** Check Valves
6. **Lubricate** new Check Valves with a non oil based lubricant (lubricant available from OS&B) and **replace** making sure orientation of the Check Valves allows water through to the tub (i.e. the white round disc points away from the tub)
7. **Secure** Check Valves with cir-clip
8. **Tighten** Hex-Nut
9. **Replace** Decorative Cap/Spout with clockwise twist (see p.10)
10. **Replace** Set Screw making sure it threads completely into the hole in the base tap of the Bayonet Mount

## WARNINGS!

Failure to properly thread in the set screw may lead to serious injury should the decorative cap/spout pop off under water pressure.

If you must adapt a fitting, please remove Check Valves before soldering then re-install. Make solder joint before threading into body. Heat can adversely affect the Check Valves.

❄ **WINTERIZATION NOTE:** Removal of the check valves should also be done to drain water for unheated residences when the temperature could go below freezing. Freezing of Fill&Drain™ will void any and all warranties.

Aerators are replaceable (removal tool supplied) and are available through OS&B™.



## Patent Information

The Fill&Drain™ is patented in the United States (US Patent #7-278-178) and Canada (Canadian Patent # CA 2479043).

## Trademarks

Fill&Drain™ is a registered trademark of Oakville Stamping & Bending.

OS&B™ is a registered trademark of Oakville Stamping & Bending.

## Fill&Drain™ parts and further information are available at:

### Oakville Stamping & Bending

✉ 2200 Speers Road, Oakville, Ontario, Canada L6L 2X8.

☎ 905.827.0320

☎ Toll Free 1.877.314.6040

☎ 905.827.6375

☎ Toll Free 1.877.827.6040

🌐 [www.osb.ca](http://www.osb.ca)

✉ [osb@osb.ca](mailto:osb@osb.ca)

Please consult the OS&B™ website for the OS&B agent in your area, or visit the plumbing supplier where the Fill&Drain™ unit was purchased.

Note: All technical information and Specifications are subject to change without notice.

12/08/2010

