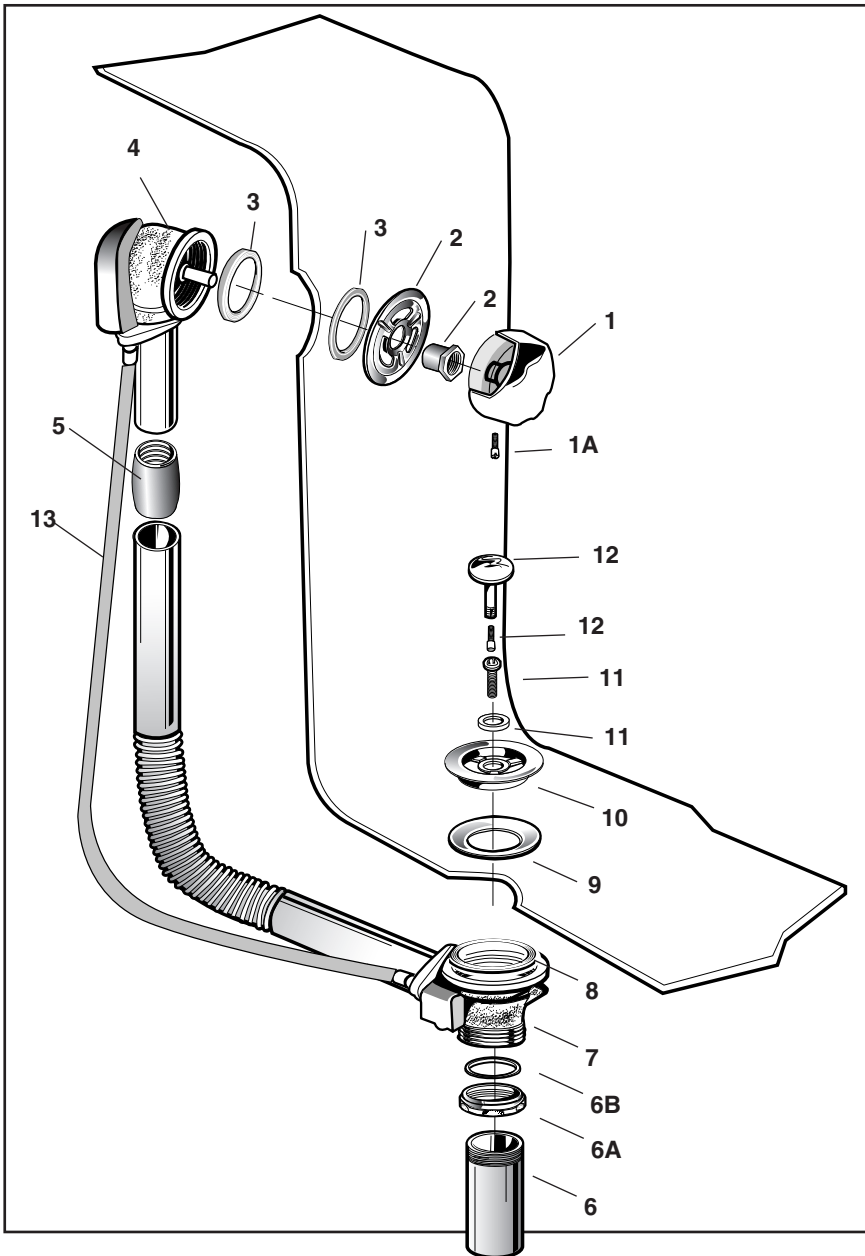


# WASTE/OVERFLOWS CABLE DRIVE®



1. CONTROL HANDLE
- 1A. LOCKING SCREW
2. OVERFLOW TIE PLATE & BOLT
3. OVERFLOW GASKET  
(also used as waste washer 8 )
4. OVERFLOW ELBOW  
(Assembly)
5. RUBBER COLLAR
6. 1 1/2" BRASS TAILPIECE (812-4RB)
- 6A. TAILPIECE NUT
- 6B. WASHER
7. WASTE ELBOW  
(Assembly)
8. WASTE WASHER
9. PUTTY RING
10. STRAINER
11. WASTE BOLT & SPACER\*
12. PLUG
13. DRIVE CABLE (500 mm)

\* SPACER's use depends on thickness of the tub.

**CAUTION:**

We recommend an access panel.

**ASSEMBLY NOTES:**

- BENDING CORRUGATED BRASS**  
To avoid kinking.  
Start at one end or the other & take your time.  
Slowly start to make small bends. Keep your hands about 2" apart.
- START WITH THE WASTE (7)**  
(9) The Putty Ring may not be sufficient for some tub designs. Instead, use a caulking compound.  
(11) Tighten bolt last. (Handtight + 1/4 turn)
- ON THE OVERFLOW**  
(4) Make sure Elbow assembly is centred & (13) Cable is not twisted.



- If the OVERFLOW TUBING (4) is too long, cut to fit
- HEIGHT OF PLUG (12) can be adjusted.



OAKVILLE STAMPING & BENDING  
2200 SPEERS ROAD  
OAKVILLE, ONTARIO L6L 2X8