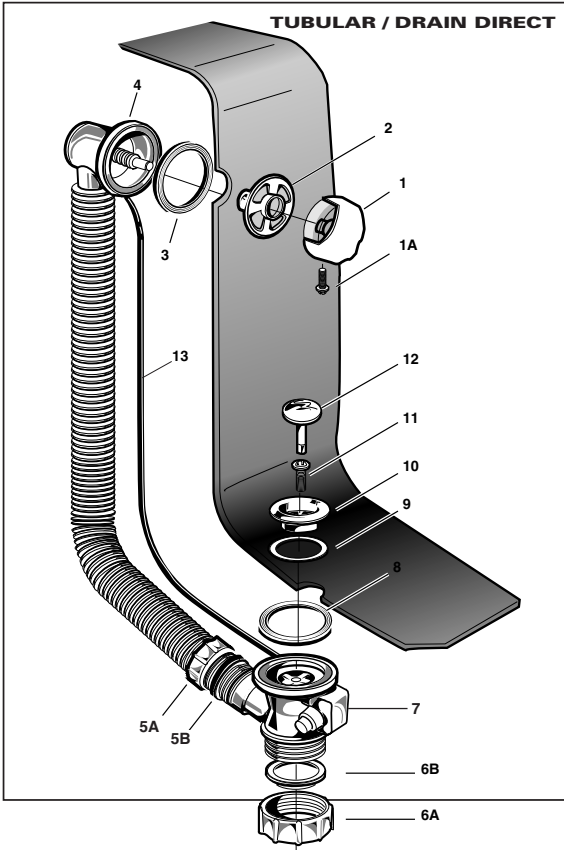


Bath

# WASTE/OVERFLOWS CABLE DRIVE®

JAN / 96

6340DC



1. CONTROL HANDLE
- 1A. LOCKING SCREW
2. OVERFLOW TIE PLATE
3. OVERFLOW GASKET
4. OVERFLOW ELBOW (assembly)
- 5A. SLIP JOINT NUT
- 5B. SEALING RING
- 6A. TAILPIECE NUT
- 6B. FLANGED WASHER  
*Install FLANGE side down*
7. WASTE ELBOW (assembly)
8. STRAINER WASHER
9. PUTTY RING
10. STRAINER
11. WASTE BOLT\*
12. PLUG  
(replacement rubber seals are available)
13. DRIVE CABLE\*

\* Other Lengths Available

We recommend an access panel.

## ASSEMBLY NOTES:

- START WITH THE WASTE**  
(9) The plastic Putty Ring may not be sufficient for some tub designs. Instead, use a caulking compound.  
(8) Rib side up.  
(11) Tighten bolt last. (Handtight +  $\frac{1}{4}$  turn)
- ON THE OVERFLOW**  
(9) Make sure Elbow Ring is centred & (13) Cable is not twisted.
- HEIGHT OF (12) PLUG** can be adjusted with the adjustable Set Screw.
- If the **OVERFLOW TUBING** is too long, cut to fit from the bottom end (5).

# OS&B

OAKVILLE STAMPING & BENDING  
2200 SPEERS ROAD  
OAKVILLE, ONTARIO L6L 2X8

 (805) 827-0320