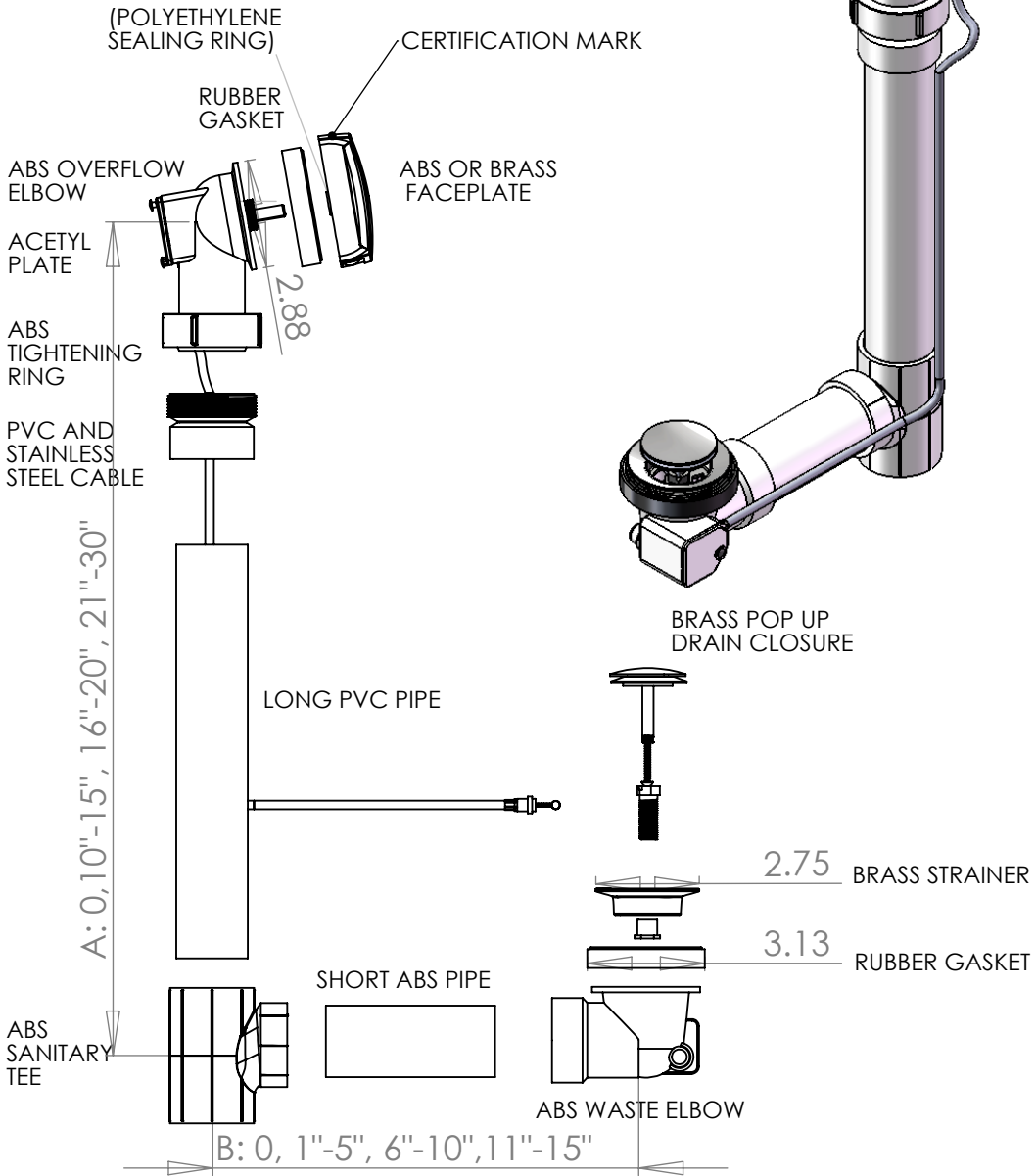




# 6342C WASTE/OVERFLOW SERIES

## PRODUCT Specifications



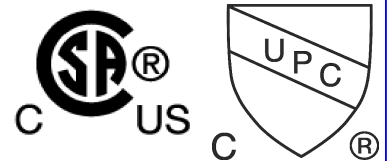
a6342Cxyz  
 ABS WASTE/OVERFLOWS  
 with cable drive  
 - knuckle angle adapter  
 - retail or wholesale (a)  
 - choice of closure (x)  
 - choice of pipe lengths (y)  
 - choice of finish (z)  
 - certifications

**RETAIL OR WHOLESALE (a):**  
 "R" = retail product  
 [no prefix] = wholesale

**PIPE LENGTH SETS (y):**  
 "K" = KIT WITH NO PIPE  
 [no suffix] = (A) 10"-15" & (B) 1"-5"  
 "20" = (A) 16"-20" & (B) 6"-10"  
 "27" = (A) 21"-30" & (B) 11"-15"

**FINISHES AVAILABLE (z):**  
 AB = ANTIQUE BRASS  
 AN = ANTIQUE NICKEL  
 B = BONE  
 BCP = CHROME ON BRASS  
 BN = BRUSHED NICKEL  
 CP = CHROME ON ABS  
 PB = POLISHED BRASS  
 PCH = PEARL CHROME  
 PN = PEARL NICKEL  
 SS = STAINLESS STEEL  
 VB = VENETIAN BRONZE  
 W = WHITE

### CERTIFICATIONS:



Certification mark(s)  
 located on face of  
 faceplate

Drawn by: Chris McLeod  
 Date: 2009/Mar/16th  
 Checked by: Kevin Ernst  
 Oakville Stamping & Bending Ltd.  
 Units: Inches  
 Scale: 1:5 (line drawing)  
 1:5 (illustration)

### CLOSURES AVAILABLE (x):

STAINLESS STEEL POP-UP DRAIN CLOSURE  
 (default: no letter)  
 Note adjustable post with nut for securing.

