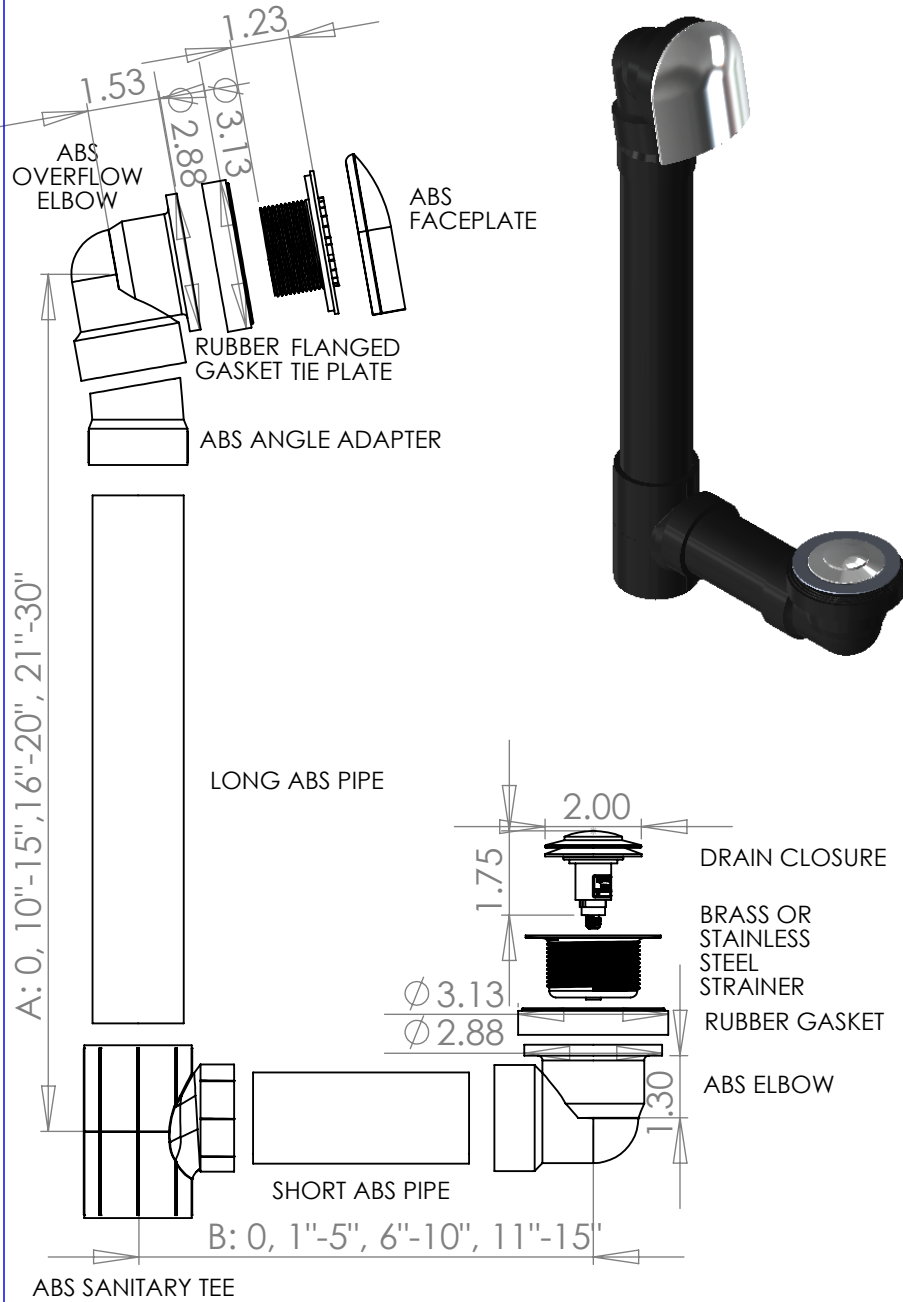




# 7030 WASTE OVERFLOW SERIES

## PRODUCT Specifications



7030xyz  
 ABS WASTE/OVERFLOWS  
 with  
 - angle adapter  
 - choice of closure (x)  
 - choice of pipe length(y)  
 - choice of finish (z)  
 - certifications

### PIPE LENGTH SETS (y):

"K" = KIT WITH NO PIPE  
 [no suffix] = (A) 10'-15" & (B) 1'-5"  
 "20" = (A) 16'-20" & (B) 6'-10"  
 "27" = (A) 21'-30" & (B) 11'-15"

### FINISHES AVAILABLE (z):

AB = ANTIQUE BRASS  
 AN = ANTIQUE NICKEL  
 B = BONE  
 BN = BRUSHED NICKEL  
 CP = CHROME ON ABS  
 PB = POLISHED BRASS  
 PCH = PEARL CHROME  
 PN = PEARL NICKEL  
 SS = STAINLESS STEEL  
 VB = VENETIAN BRONZE  
 W = WHITE

### CERTIFICATIONS:



Certification mark(s)  
 located on face of  
 faceplate

Drawn by: Chris McLeod  
 Date: 2009NOV19  
 Checked by: Mike Pinet  
 Oakville Stamping & Bending.  
 Units: Inches  
 Scale: 1: 4 (line drawing)  
 1:5 (illustration)

### DRAIN CLOSURES AVAILABLE (x):

