



## Update the look of your bathroom in minutes.

Renovating a bathroom on a budget?

Our Bath Drain Update Kit\* allows you to easily change the look and finish of your Tub Drain in minutes and at a fraction of the cost of a full replacement. And now available in Matte Black!

No muss. No fuss. No kidding.  
Your job just got easier.™



### Kit includes



SlideOn™  
Faceplate



Clicker®  
Drain Top



3 hole  
Tie Plate



Spin on  
Tie Plate



Small  
1/4"-20  
Clicker®  
mechanism



Large  
5/16"  
Clicker®  
mechanism



Extra Large  
3/8"  
Clicker®  
mechanism



2  
Screws

### Available Finishes (Finish suffix)



CP  
Chrome Plated



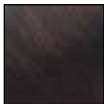
BN  
Brushed Nickel



MBL  
Matte Black



POLN  
Polished Nickel



VB  
Venetian Bronze

Part # Configurator (example: URTKCLQ-CP)

# URTKCLQ-



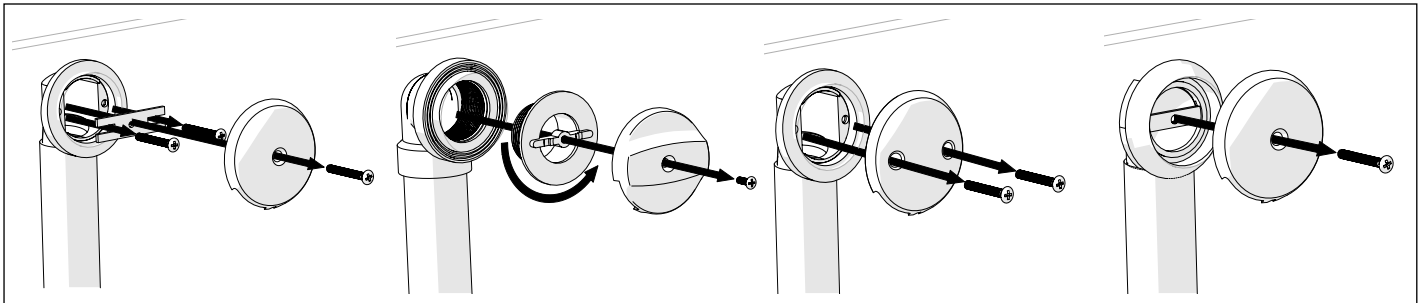
FINISH SUFFIX  
(2-4 CHARACTERS)

\*This Kit is not for use with Trip Lever or Cable operated bath drains. See reverse for more information.

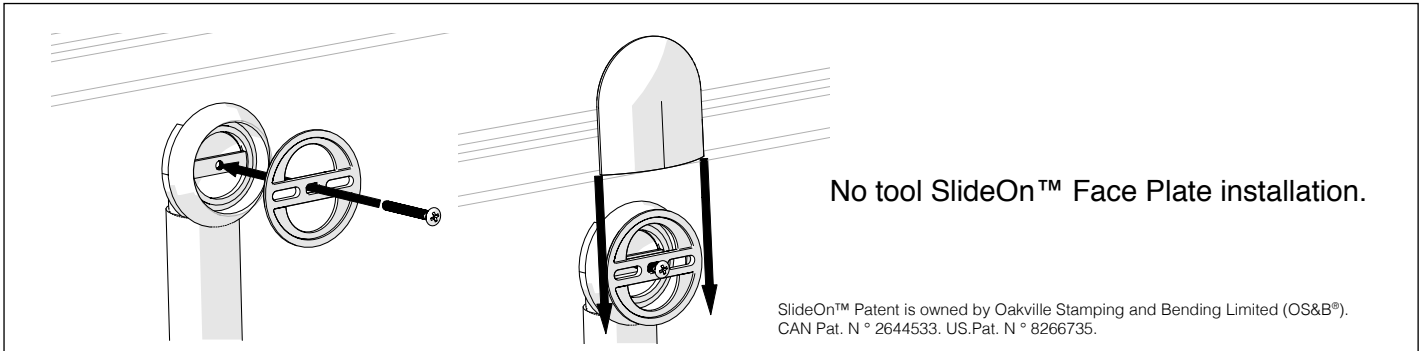
Update the look of your bath tub drain in minutes. This Kit allows you to replace your old Overflow Plate with our screwless SlideOn™ design Faceplate. Replace your old Closure Mechanism with the reliable and simple to operate Clicker® Plug (a Small 1/4"-20, Large 5/16" and XL 3/8" Clicker® Mechanism is included with each Kit) which operates on a push to open the drain and a push to close the drain.

**Important:** This Kit is not for use with Trip Lever or Cable operated bath drains.

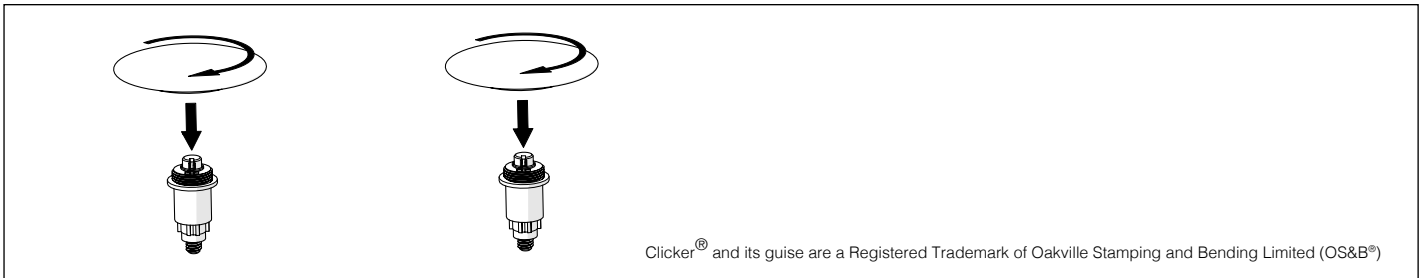
## Overflow Plate - Before



## Overflow Plate - After



## Clicker® Stopper



Scan the QR Code to view Complete Installation videos for the various installation types.  
**Questions?** Call us toll free at 1.877.314.6040 or visit our website.

