

ITD25

FRZERO⁵⁰ ISLAND TUB DRAIN™ - TESTABLE ROUGH-IN

Project Name: _____

Project Number: _____

Fixture #

Description:

FR PVC Island Tub Drain™ (Testable Rough-in) for Freestanding Tubs. Features an 18 Gauge Epoxy coated Metal Deck Plate with holes to lock to thinset and a Snap off Test Cap. Can also be installed in a slab on grade application. Meets flame and smoke requirements of CAN/ULC S102.2-10 for non-combustible buildings (when approved PVC primer and solvent cement is used to make joints).

- **NOTE: Island Tub Drain™ IS NOT FOR USE with liquid applied or sheet membranes**
- **NOTE: Island Tub Drain™ MUST BE INSTALLED in a dry area with no potential for surface water contact**

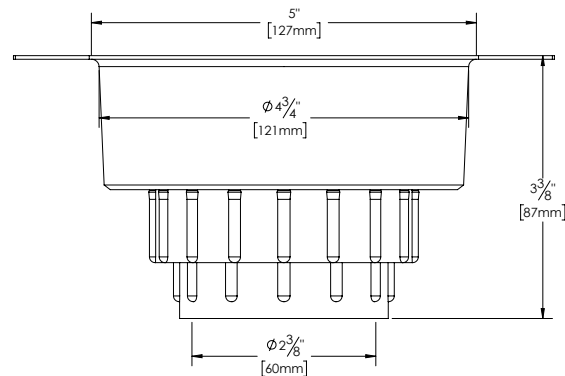
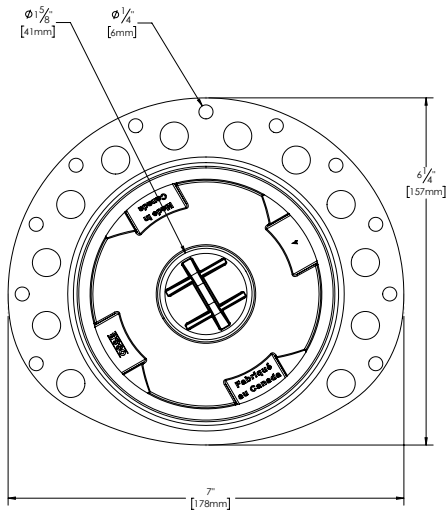
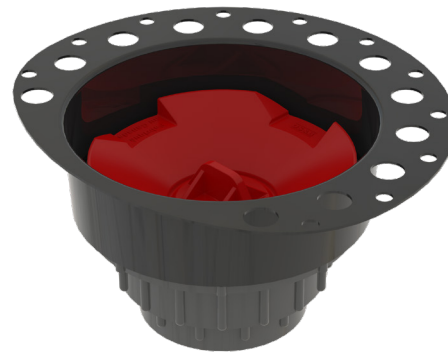
Certification



*The "cCSAus Meets UPC" mark means the product conforms to the requirements of the NPC, UPC, IPC and IRC.



CAN/ULC S102.2
FSR 0 / SDC 40



Oakville Stamping and Bending Ltd.

2200 Speers Road, Unit C. Oakville, ON. Canada. L6L 2X8.
T. 905.827.0320 or toll free 1.877.314.6040 F. 905.827.6375 or toll free 1.877.827.6040.

All rights reserved. OS&B® reserves the right to change product specifications and material or discontinue models without notice.

Island Tub Drain™ is Patented in the USA and Canada