



TOTAL ONE TESTABLE PVC W/PIPE 20 WASTE & OVERFLOW

# PRODUCT Specifications

PRODUCT MODEL

5131TDRI-20

TOTAL ONE CONFIGURABLE BATH DRAIN

LEGEND

606 = ABS  
 516=PVC  
 256=FR ZERO PVC  
 X=FACEPLATE  
 YYY=MECHANISM  
 K=KIT,NO PIPE

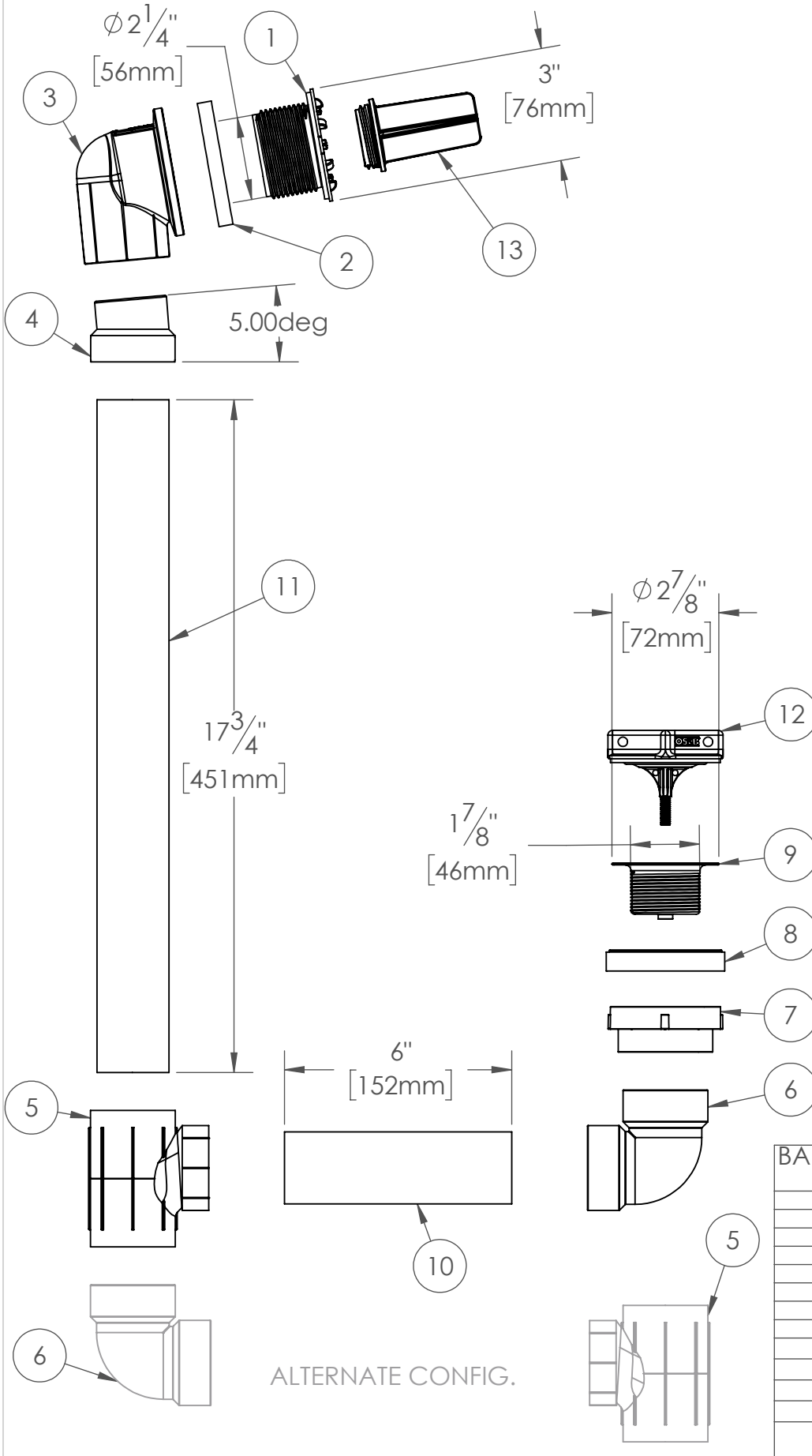
NOTE: MUST USE CERTIFIED 1-1/2 ABS DWV PIPE

FINISHES AVAILABLE:  
 CP (CHROME PLATED)

CERTIFICATIONS:



Drawn by: THOMAS  
 Date: 2022JUNE2  
 Checked by:  
 Oakville Stamping & Bending Ltd.  
 Units: Inches  
 Scale: 1:2 (line drawing)  
 1:2 (illustration)



BALLOON NO.	PART NO.	DESCRIPTION
1	5270WTIE	TIEPLATE
2	425C	GASKET
3	5642W	OVERFLOW ELBOW
4	AA11-PVC-W	ANGLE ADAPTER
5	5311W	TEE
6	5313W	ELBOW
7	5316-A	ADAPTER
8	425	GASKET
9	338SS-L	STRAINER
10	5342W-6	6 IN PIPE
11	5342W-17.75	17.75 IN PIPE
12	338TEST	DRAIN TEST PLUG
13	5642W-TP	OVERFLOW TEST PLUG