



TOTAL ONE TESTABLE PVC ROUGH IN WASTE & OVERFLOW KIT

PRODUCT Specifications

PRODUCT MODEL

5131TDRI-K

TOTAL ONE CONFIGURABLE BATH DRAIN

LEGEND

606 = ABS
 516 = PVC
 256 = FR ZERO PVC
 X = FACEPLATE
 YYY = MECHANISM
 K = KIT, NO PIPE

NOTE: MUST USE CERTIFIED 1-1/2 ABS DWV PIPE

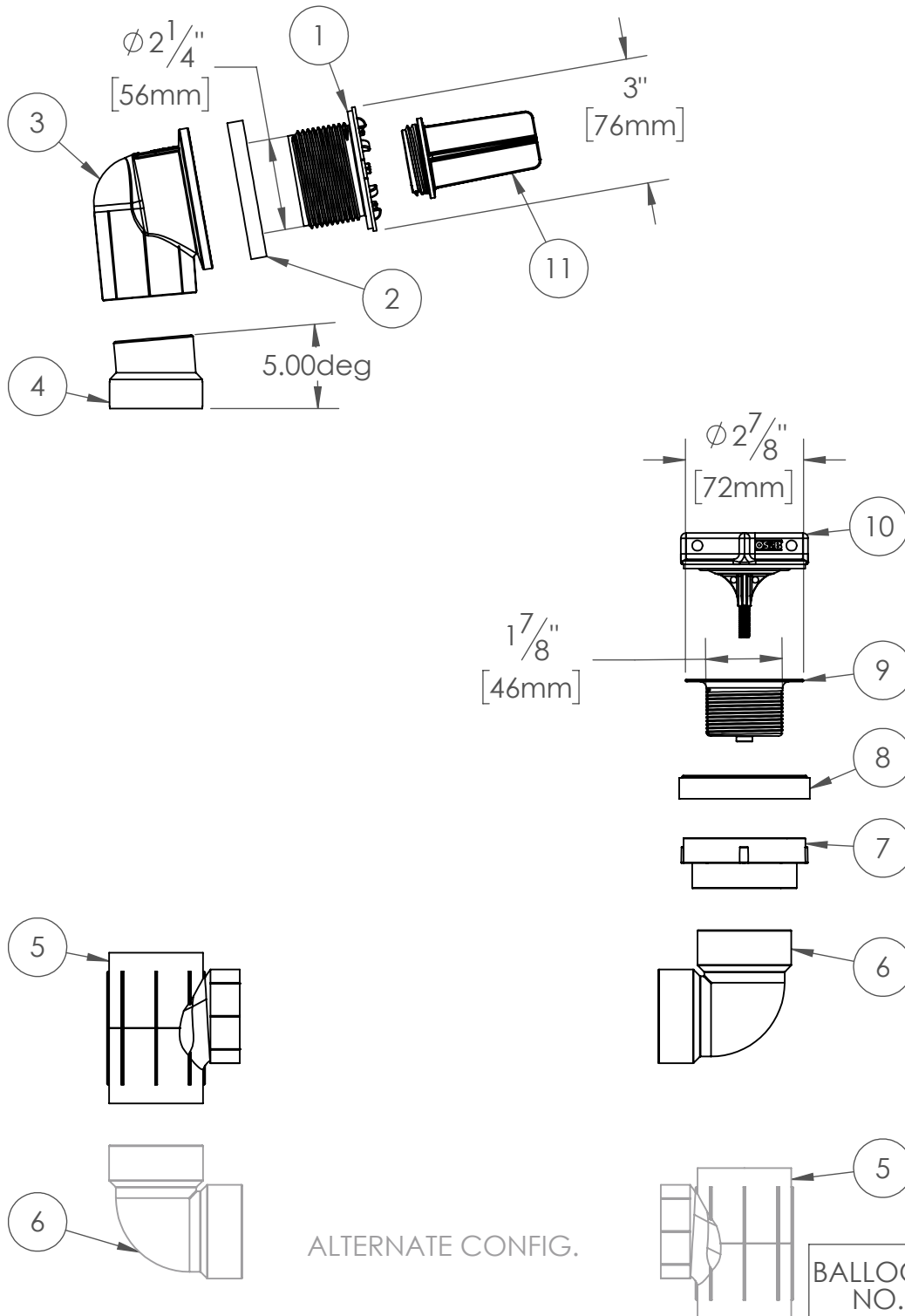
FINISHES AVAILABLE:

N/A

CERTIFICATIONS:



Drawn by: THOMAS
 Date: 2022JUNE2
 Checked by:
 Oakville Stamping & Bending Ltd.
 Units: Inches
 Scale: 1:2 (line drawing)
 1:2 (illustration)



ALTERNATE CONFIG.

BALLOON NO.	PART NO.	DESCRIPTION
1	5270WTIE	TIEPLATE
2	425C	GASKET
3	5642W	OVERFLOW ELBOW
4	AA11-PVC-W	ANGLE ADAPTER
5	5311W	TEE
6	5313W	ELBOW
7	5316-A	ADAPTER
8	425	GASKET
9	338SS-L	STRAINER
10	338TEST	DRAIN TEST PLUG
11	5642W-TP	OVERFLOW TEST PLUG