



TOTAL ONE PVC W/PIPE 16 WASTE & OVERFLOW

PRODUCT Specifications

PRODUCT MODEL

516XYYY-16CP

TOTAL ONE CONFIGURABLE BATH DRAIN

LEGEND

606 = ABS
 516 = PVC
 256 = FR ZERO PVC
 X = FACEPLATE
 YYY = MECHANISM
 K = KIT, NO PIPE

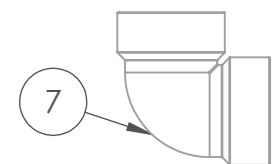
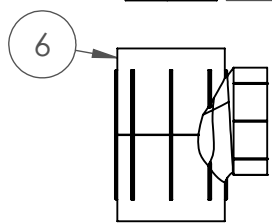
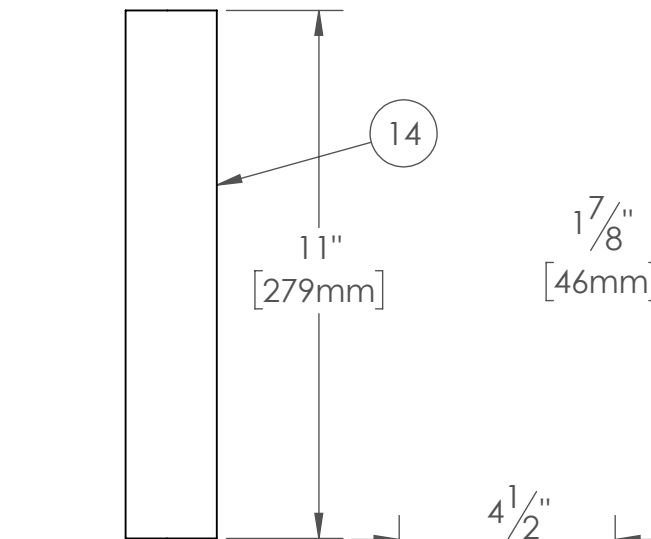
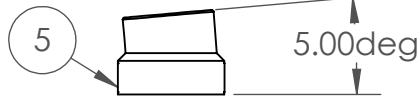
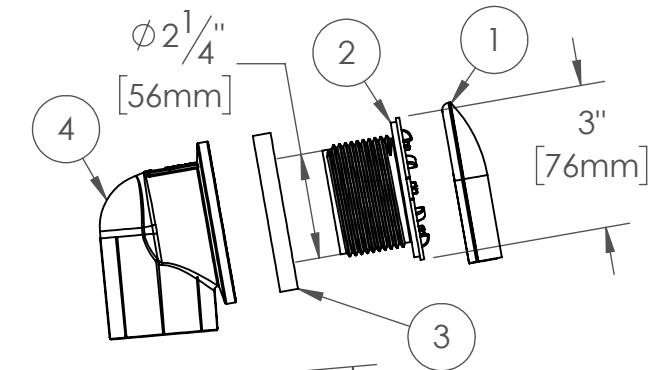
NOTE: MUST USE CERTIFIED 1-1/2 ABS DWV PIPE

FINISHES AVAILABLE:
 CP (CHROME PLATED)

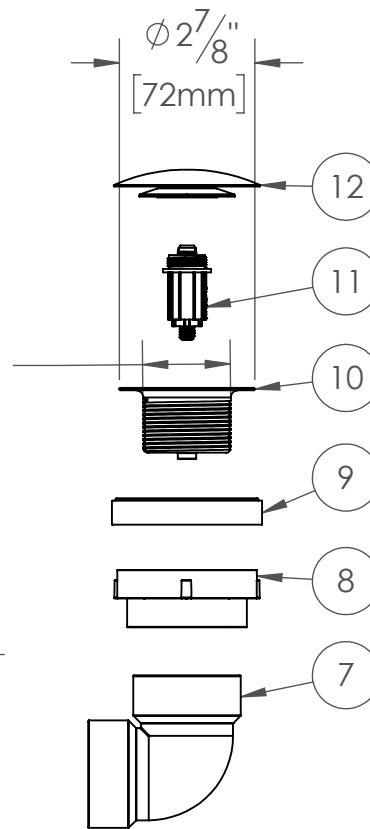
CERTIFICATIONS:



Drawn by: THOMAS
 Date: 2022JUNE2
 Checked by:
 Oakville Stamping & Bending Ltd.
 Units: Inches
 Scale: 1:2 (line drawing)
 1:2 (illustration)



ALTERNATE CONFIG.



BALLOON NO.	PART NO.	DESCRIPTION
1	327X	FACEPLATE
2	5270WTIE	TIEPLATE
3	425C	GASKET
4	5642W	OVERFLOW ELBOW
5	AA11-PVC-W	ANGLE ADAPTER
6	5311W	TFE
7	5313W	ELBOW
8	5316-A	ADAPTER
9	425	GASKET
10	338SS-1	STRAINER
11	3333-1	CLICKER STEM
12	332CP-1	CLICKER CAP & SEAL
11/12*	343CP-L	LIFT & TURN (NOT SHOWN)
11/12*	341CP	TIP TOE (NOT SHOWN)
13	5342W-4.5	4.5 IN PIPE
14	5342W-11	11 IN PIPE