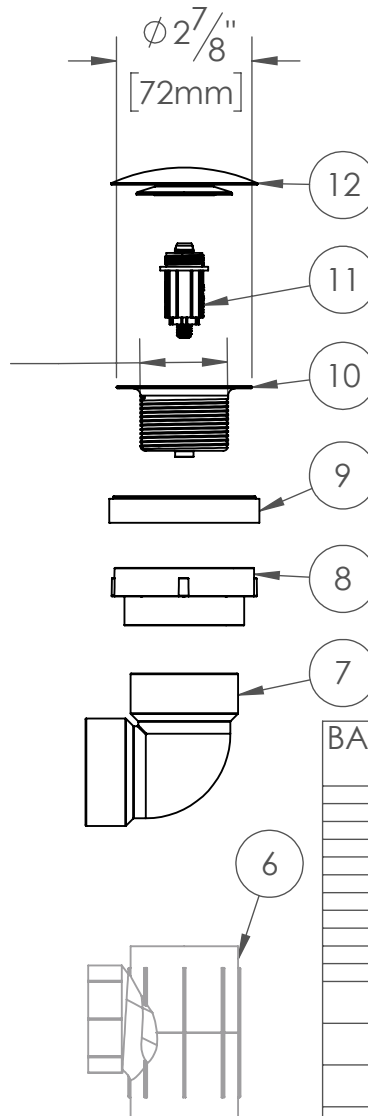
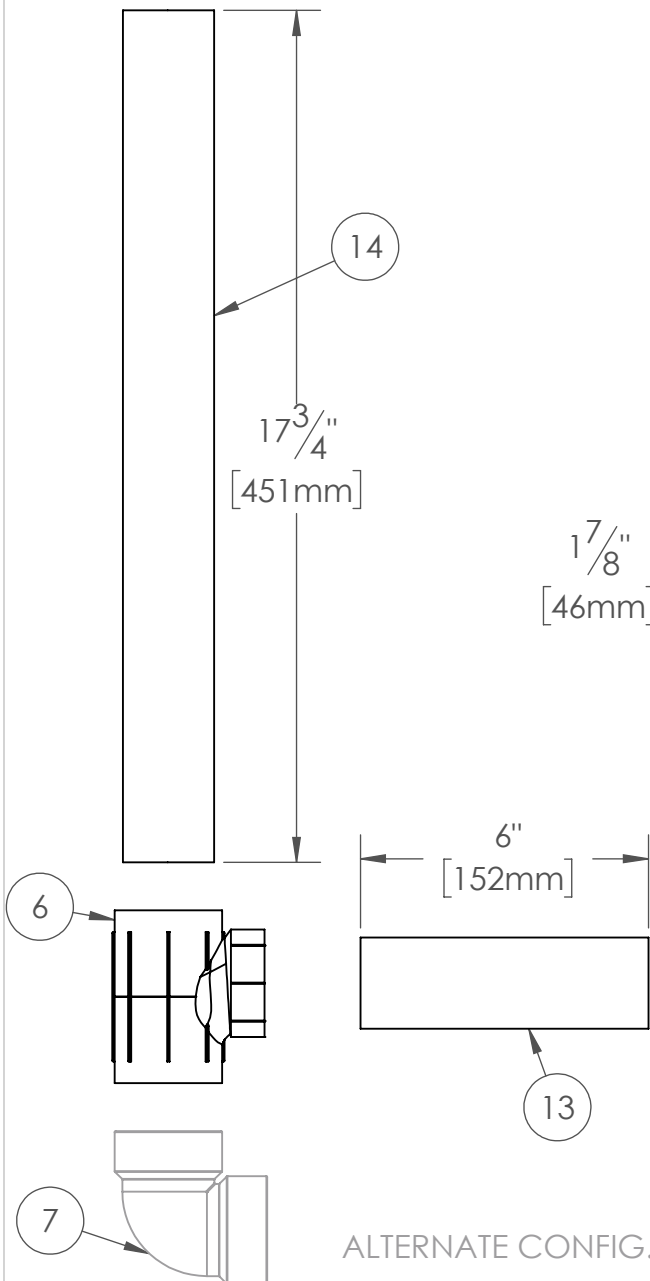
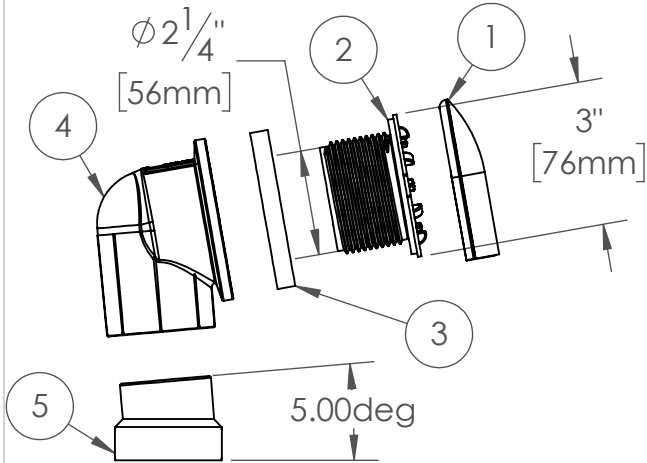




TOTAL ONE PVC W/PIPE 20 WASTE & OVERFLOW

# PRODUCT Specifications



PRODUCT MODEL

516XYYY-20CP

TOTAL ONE CONFIGURABLE BATH DRAIN

LEGEND

606 = ABS  
516 = PVC  
256 = FR ZERO PVC  
X = FACEPLATE  
YYY = MECHANISM  
K = KIT, NO PIPE

NOTE: MUST USE CERTIFIED 1-1/2 ABS DWV PIPE

FINISHES AVAILABLE:  
CP (CHROME PLATED)

CERTIFICATIONS:



Drawn by: THOMAS  
Date: 2022JUNE2  
Checked by:  
Oakville Stamping & Bending Ltd.  
Units: Inches  
Scale: 1:2 (line drawing)  
1:2 (illustration)

BALLOON NO.	PART NO.	DESCRIPTION
1	327X	FACEPLATE
2	5270WTIF	TIEPLATE
3	425C	GASKET
4	5642	OVERFLOW ELBOW
5	AA11-PVC-W	ANGLE ADAPTER
6	5311W	TEE
7	5313W	ELBOW
8	5316-A	ADAPTER
9	425	GASKET
10	338SS-L	STRAINER
11	3333-L	CLICKER STEM
12	332CP-1	CLICKER CAP & SEAL
11/12*	343CP-L	LIFT & TURN (NOT SHOWN)
11/12*	341CP	TIP TOE (NOT SHOWN)
13	5342W-6	6 IN PIPE
14	5342W-17.75	17.75 IN PIPE