



# TOTAL ONE PVC WASTE & OVERFLOW KIT

## PRODUCT Specifications

PRODUCT MODEL

516XYYYK-CP

TOTAL ONE CONFIGURABLE BATH DRAIN

### LEGEND

606 = ABS  
 516 = PVC  
 256 = FR ZERO PVC  
 X = FACEPLATE  
 YYY = MECHANISM  
 K = KIT, NO PIPE

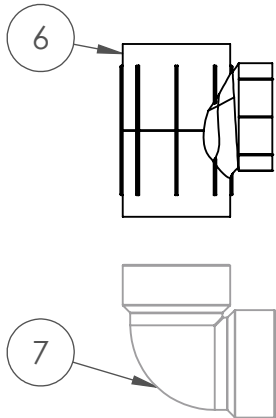
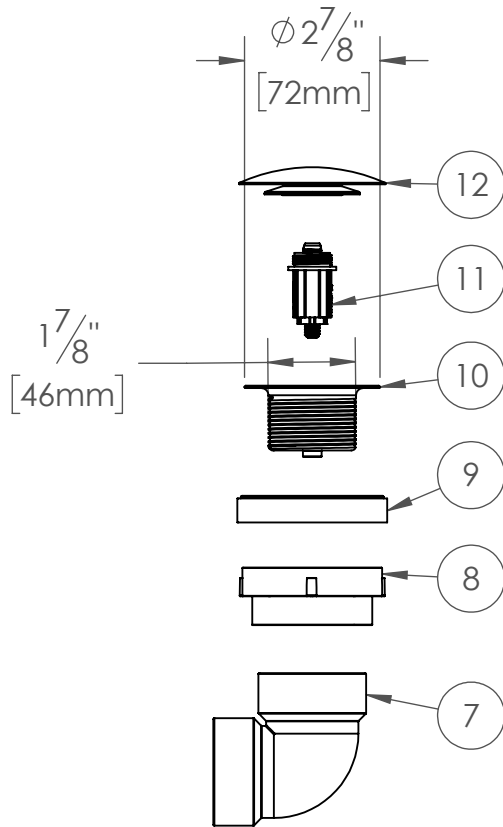
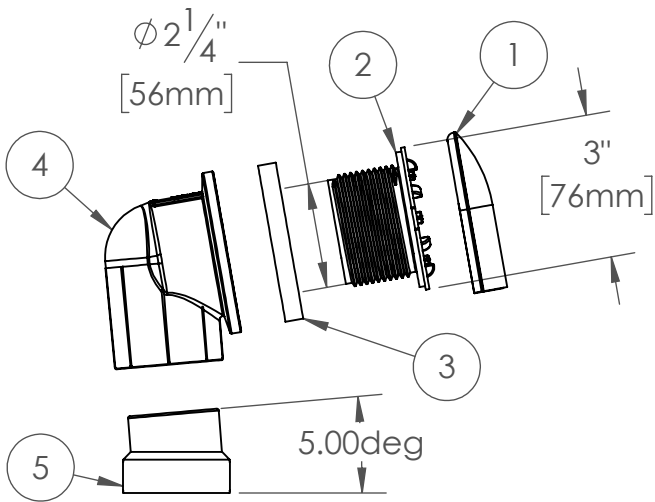
NOTE: MUST USE CERTIFIED 1-1/2 ABS DWV PIPE

FINISHES AVAILABLE:  
 CP (CHROME PLATED)

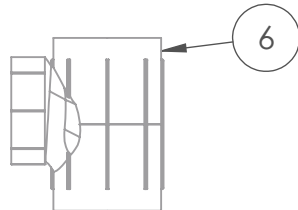
### CERTIFICATIONS:



Drawn by: THOMAS  
 Date: 2022JUNE2  
 Checked by:  
 Oakville Stamping & Bending Ltd.  
 Units: Inches  
 Scale: 1:2 (line drawing)  
 1:2 (illustration)



ALTERNATE CONFIG.



BALLOON NO.	PART NO.	DESCRIPTION
1	327X	FACEPLATE
2	5270WTIE	TIEPLATE
3	425C	GASKET
4	5642W	OVERFLOW ELBOW
5	AA11-PVC-W	ANGLE ADAPTER
6	5311W	TEE
7	5313W	ELBOW
8	5316-A	ADAPTER
9	425	GASKET
10	338SS-L	STRAINER
11	3333-L	CLICKER STEM
12	332CP-1	CLICKER CAP & SEAL
11/12*	343CP-L	LIFT & TURN (NOT SHOWN)
11/12*	341CP	TIP TOE (NOT SHOWN)