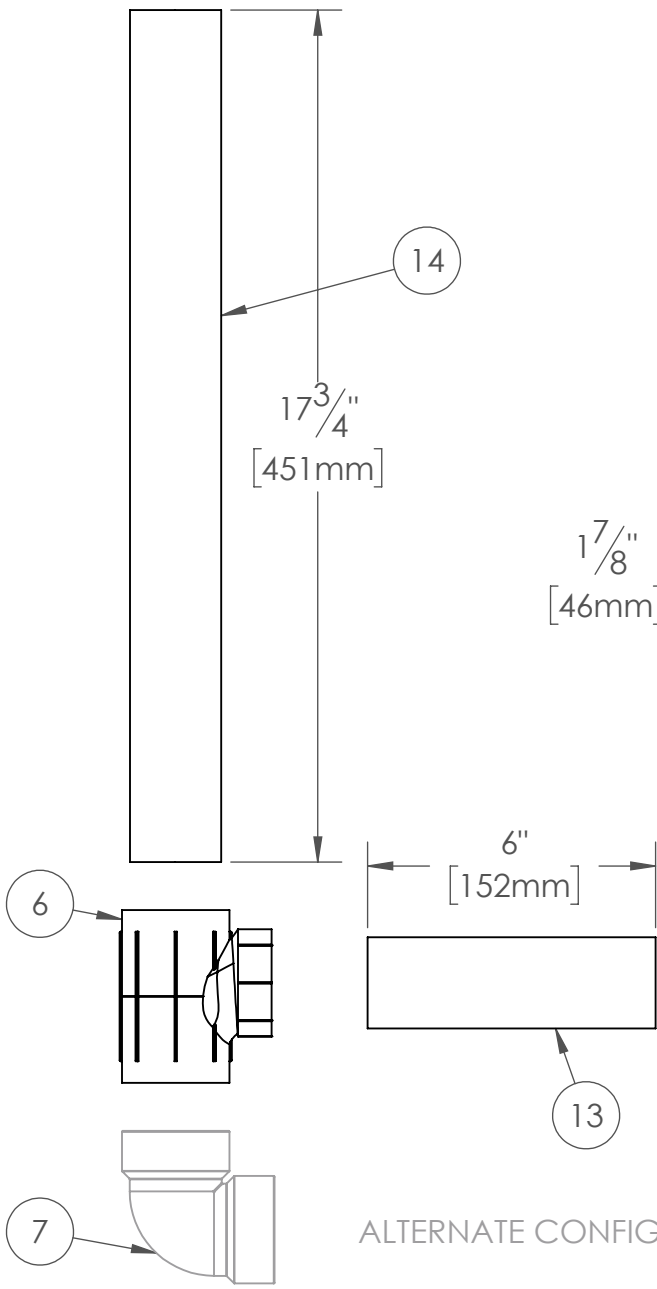
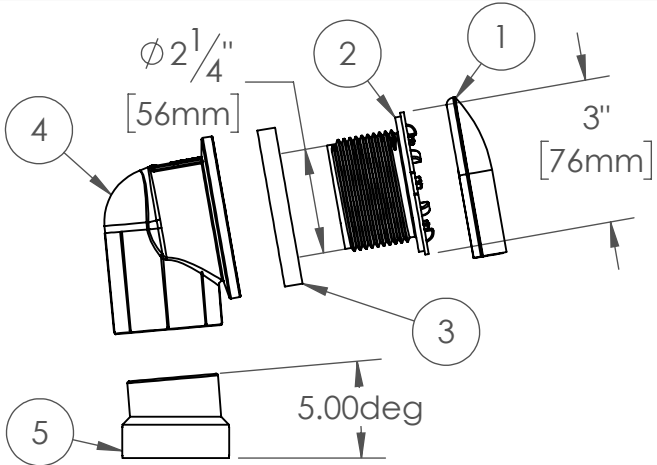




TOTAL ONE ABS W/PIPE 20 WASTE & OVERFLOW

# PRODUCT Specifications



**PRODUCT MODEL**  
606XXXX-20CP

TOTAL ONE CONFIGURABLE  
BATH DRAIN

**LEGEND**

606 = ABS  
516 = PVC  
256 = FR ZERO PVC  
X = FACEPLATE  
YYY = MECHANISM  
K = KIT, NO PIPE

NOTE: MUST USE CERTIFIED  
1-1/2 ABS DWV PIPE

**FINISHES AVAILABLE:**  
CP (CHROME PLATED)

**CERTIFICATIONS:**



Drawn by: THOMAS  
Date: 2022JUNE2  
Checked by:  
Oakville Stamping & Bending Ltd.  
Units: Inches  
Scale: 1:2 (line drawing)  
1:2 (illustration)

BALLOON NO.	PART NO.	DESCRIPTION
1	327X	FACEPLATE
2	5270WTIE	TIEPLATE
3	425C	GASKET
4	6642	OVERFLOW ELBOW
5	AA11	ANGLE ADAPTER
6	6311	TFE
7	6313	FLBOW
8	6316-A	ADAPTER
9	425	GASKET
10	338SS-1	STRAINER
11	3333-L	CLICKER STEM
12	332CP-1	CLICKER CAP & SEAL
11/12*	343CP-L	LIFT & TURN (NOT SHOWN)
11/12*	341CP	TIP TOE (NOT SHOWN)
13	6342-6	6 IN PIPE
14	6342-17.75	17.75 IN PIPE