



TOTAL ONE ABS WASTE & OVERFLOW KIT

PRODUCT Specifications

PRODUCT MODEL

606XXXXYK-CP

TOTAL ONE CONFIGURABLE
BATH DRAIN

LEGEND

606 = ABS
516 = PVC
256 = FR ZERO PVC
X = FACEPLATE
YYY = MECHANISM
K = KIT, NO PIPE

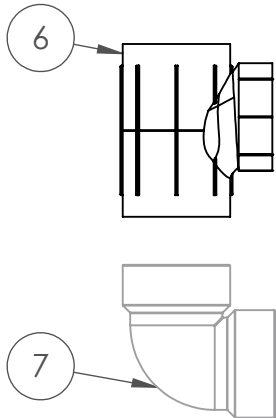
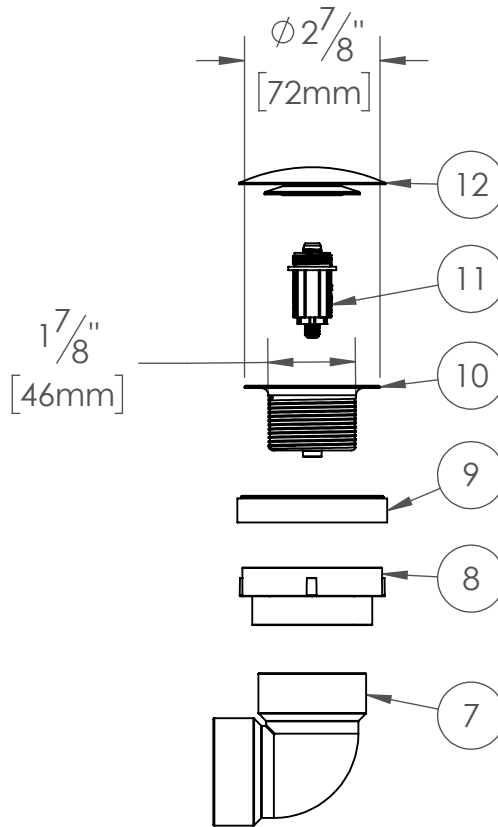
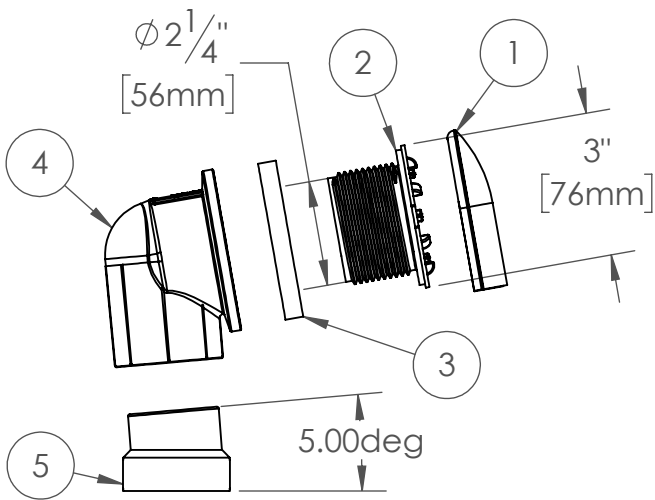
NOTE: MUST USE CERTIFIED
1-1/2 ABS DWV PIPE

FINISHES AVAILABLE:
CP (CHROME PLATED)

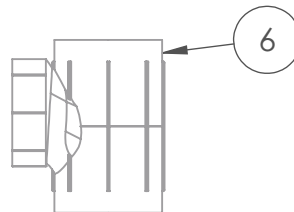
CERTIFICATIONS:



Drawn by: THOMAS
Date: 2022JUNE2
Checked by:
Oakville Stamping & Bending Ltd.
Units: Inches
Scale: 1:2 (line drawing)
1:2 (illustration)



ALTERNATE CONFIG.



BALLOON NO.	PART NO.	DESCRIPTION
1	327X	FACEPLATE
2	5270WTIE	TIEPLATE
3	425C	GASKET
4	6642	OVERFLOW ELBOW
5	AA11	ANGLE ADAPTER
6	6311	TEE
7	6313	ELBOW
8	6316-A	ADAPTER
9	425	GASKET
10	338SS-L	STRAINER
11	3333-L	CLICKER STEM
12	332CP-1	CLICKER CAP & SEAL
11/12*	343CP-L	LIFT & TURN (NOT SHOWN)
11/12*	341CP	TIP TOE (NOT SHOWN)