



SD35T Series

TESTABLE ABS SHOWER DRAIN - FOR USE WITH MOLDED BASE

Project Name: _____

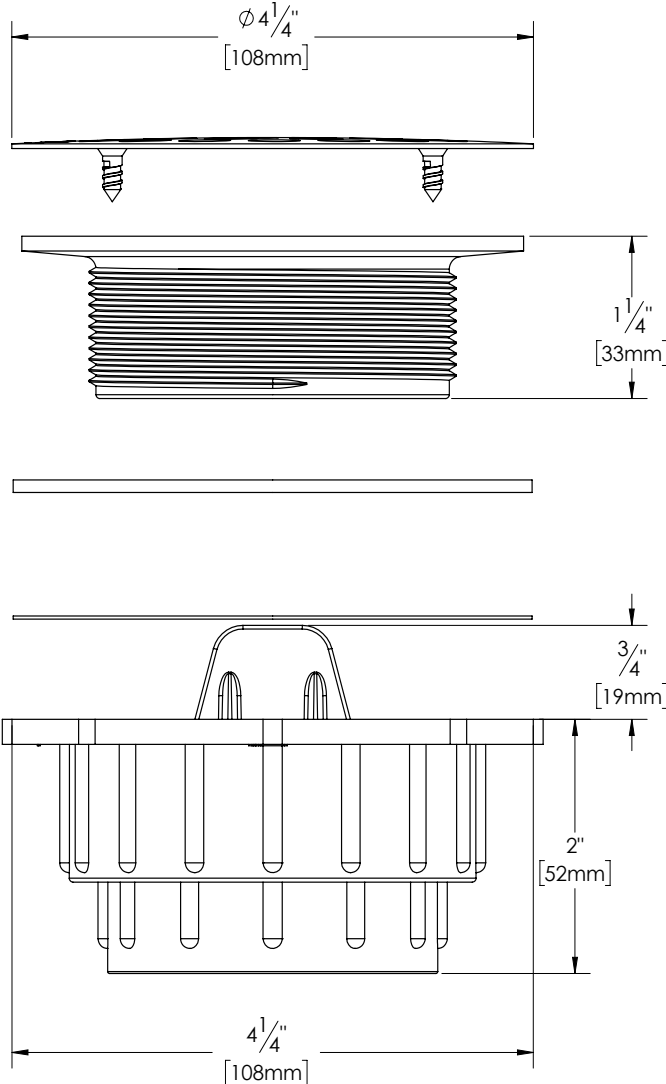
Project Number: _____

Fixture #

Description:

ABS SHOWER DRAIN SHALL BE TESTABLE W/2" DWV HUB CONNECTION FOR MOLDED SHOWER BASES, ROUND STAINLESS STEEL GRATE, WITH SNAP-OFF TEST CAP.

Certification



Oakville Stamping and Bending Ltd.

2200 Speers Road, Unit C. Oakville, ON. Canada. L6L 2X8.

T. 905.827.0320 or toll free 1.877.314.6040 F. 905.827.6375 or toll free 1.877.827.6040.

All rights reserved. OS&B™ reserves the right to change product specifications and material or discontinue models without notice.

www.osb.ca (Canada) www.osbplumbing.com (USA)