



# 7030TDRI-K

Testable 1-1/2" Schedule 40 ABS Bath Waste/Overflow  
Rough-in Kit

## Description:

ABS Offset style 1-1/2" Schedule 40 Solvent Weld Testable Bath Waste/Overflow Rough-in Kit.  
Trim sold separately.

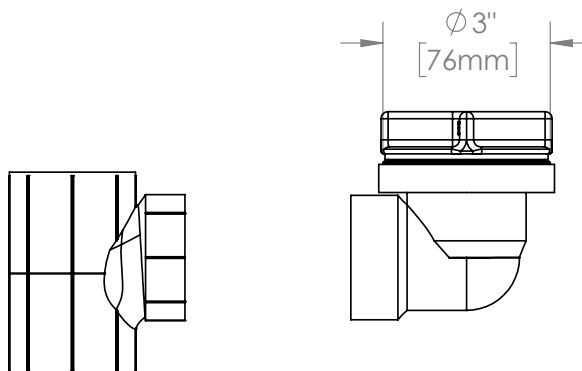
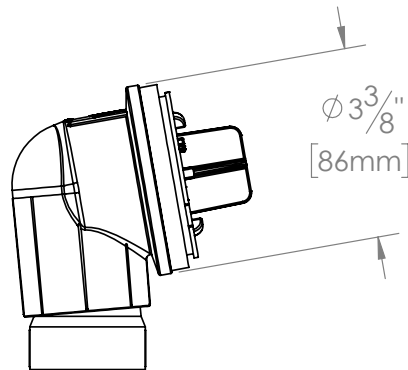
## Features:

- Kit (less Pipe)
- Spin-on TiePlate
- Thread-in Test Plug (Overflow).
- Thread-in Test Plug (Waste).

## \*Certification



\*The "cSAus Meets UPC" mark means the product conforms to the requirements of the NPC, UPC, IPC and IRC.



### Oakville Stamping and Bending Ltd.

2200 Speers Road, Unit C. Oakville, ON. Canada. L6L 2X8.  
T. 905.827.0320 or toll free 1.877.314.6040 F. 905.827.6375 or toll free 1.877.827.6040.

All rights reserved. OS&B™ reserves the right to change product specifications and material or discontinue models without notice.

**www.osb.ca (Canada) www.osbplumbing.com (USA)**