



PRODUCT BULLETIN

SD35T/SD5135T Series Testable Shower Drains

TESTABLE

Testing made quicker. Cleaner. Safer.

Introducing our new SD35T (ABS) or SD5135T (white PVC) Series Testable Shower Drains for Preformed Shower bases. Featuring a convenient Snap-off Test Cap - now you can air test from below and water test from above.

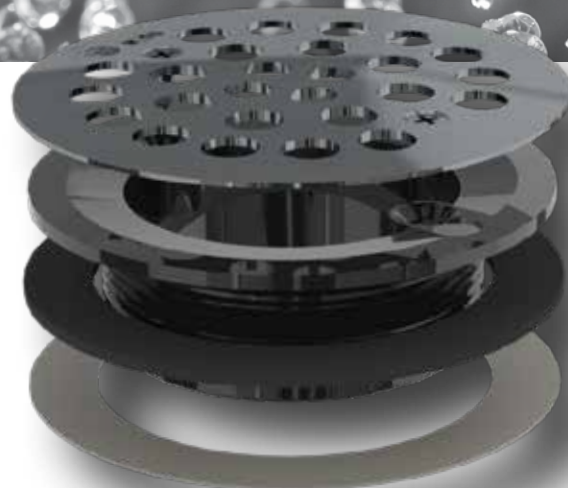
Your job just got easier.™

Features

- Snap-off Test Cap (convenient plier breakoff)
- Available in ABS (SD35T-XX) or white PVC (SD5135T-XX) Body with 2" DWV Hub Connection
- 4-1/4" Screw-in Grate
- Thread-in Flange

Benefits

- Saves valuable installation time. Allows for air testing from below or water testing from above
- Tab on Snap-off Test Cap sits higher than the Grate Flange to prevent accidental Grate installation without removal of Test Cap
- Snap-off Test Cap designed not to fall down the drain during removal
- Snap-off Test Cap makes for safe testing (Rated to 30psi)



SD35T-SS
ABS Model
Shown

PRODUCT BULLETIN

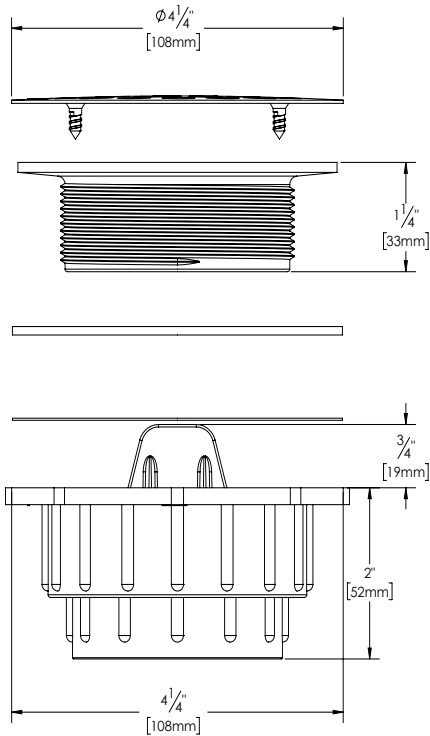
SD35T/SD5135T Series Testable Shower Drains

Features

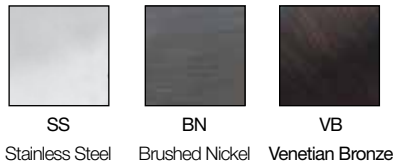
- Snap-off Test Cap (Convenient plier breakoff)
- Available in ABS (SD35T-XX) or white PVC (SD5135T-XX) Body with 2" DWV Hub Connection

Benefits

- Saves valuable installation time. Allows for air testing from below or water testing from above
- Tab on Snap-off Test Cap sits higher than the Grate Flange* to prevent accidental Grate installation without removing Test Cap
- Snap-off Test Cap designed not to fall down the drain during removal
- Snap-off Test Cap makes for safe testing (Rated to 30psi)



Finishes



Certification*



*The "cCSAus Meets UPC" mark means the product conforms to the requirements of the NPC, UPC, IPC and IRC.

Part # Configurator (example: SD35T-SS)

SD35T-

ABS MODEL FINISH SUFFIX
(1-2 CHARACTERS)

SD5135T-

PVC MODEL FINISH SUFFIX
(1-2 CHARACTERS)

*On shower base thickness of 1/2" or less.
SD35T/SD5135T is Patent Pending

PBSD35T/5135T-0518

