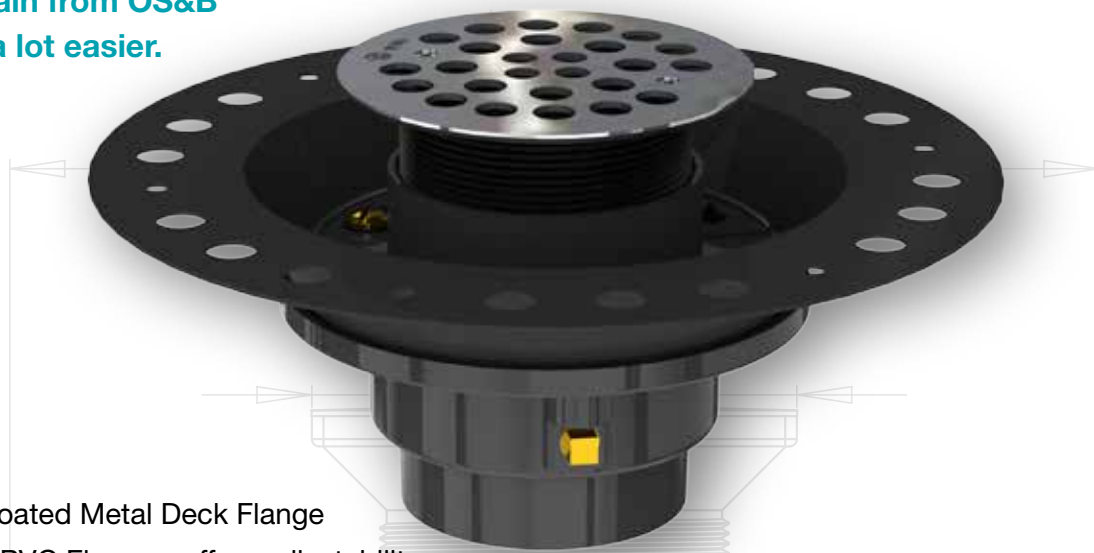


OS&B™ introduces Wood Deck Drain - the ABS or PVC Floor Drain with integral Deck Flange. Intended for light duty applications such as second floor laundry rooms, utility rooms, loft remodels, kitchens and washrooms, the new Wood Deck Drain features a sturdy epoxy coated metal Flange designed to firmly secure the Drain to the sub floor.

The Wood Deck Drain from OS&B®
- Your job just got a lot easier.



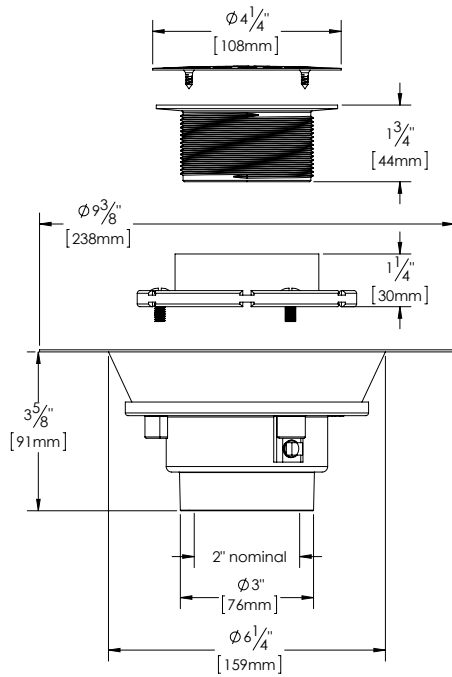
Features

- 18 Gauge Epoxy coated Metal Deck Flange
- Extra-long ABS or PVC Flange - offers adjustability to accommodate vinyl to 1-1/2" thick tile or wood flooring
- 2" ABS DWV Hub connection or 3" Spigot
- Available in Round (WDD45/WDD5145) or Square (WDDS44/WDDS5144) Stainless Steel Grate design
- Reversible ABS or PVC Collar allows for increased adjustability (2-1/4" max)
- Designed to be installed in an 8" joist space
- Can be installed with Waterproofing Membrane
- Trap Seal Primer tapped and plugged
- CSA Certified

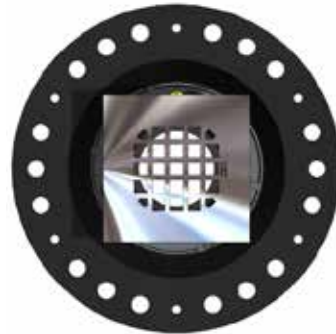
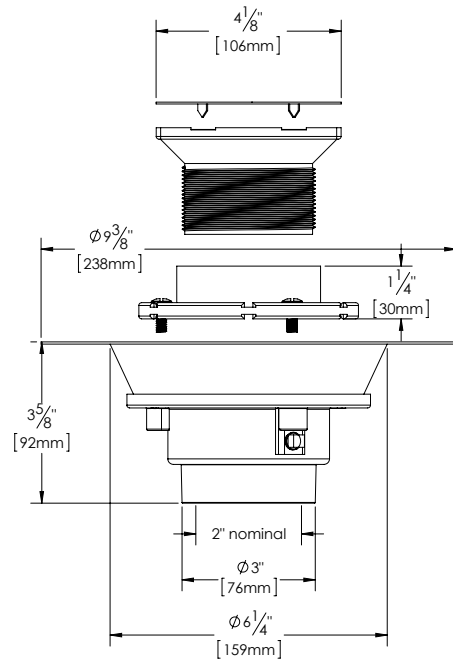
2.4in

PRODUCT BULLETIN

Wood Deck Drain



WDD45/5145



WDDS44/5144

Installation Tips

- Use 6.5" hole saw to cut sub floor (not included)
- Secure Deck Flange with nails or screws (not included)

OS&B ITEM	DESCRIPTION	FINISH	BARCODE 7 75439	CTN QTY
WDD45	ABS WOOD DECK DRAIN - ROUND GRATE	SS	06552 3	5
WDD5145	PVC WOOD DECK DRAIN - ROUND GRATE	SS	06502 8	5
WDDS44	ABS WOOD DECK DRAIN - SQUARE GRATE	SS	06553 0	5
WDDS5144	PVC WOOD DECK DRAIN - SQUARE GRATE	SS	05101 4	5

Certification



PBWDD-0316



Oakville Stamping & Bending Ltd.

T: 1.905.827.0320 1.877.314.6040 F: 1.905.827.6375 1.877.827.6040

www.osb.ca (Canada) www.osbplumbing.com (USA)