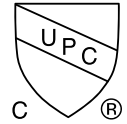


Description:

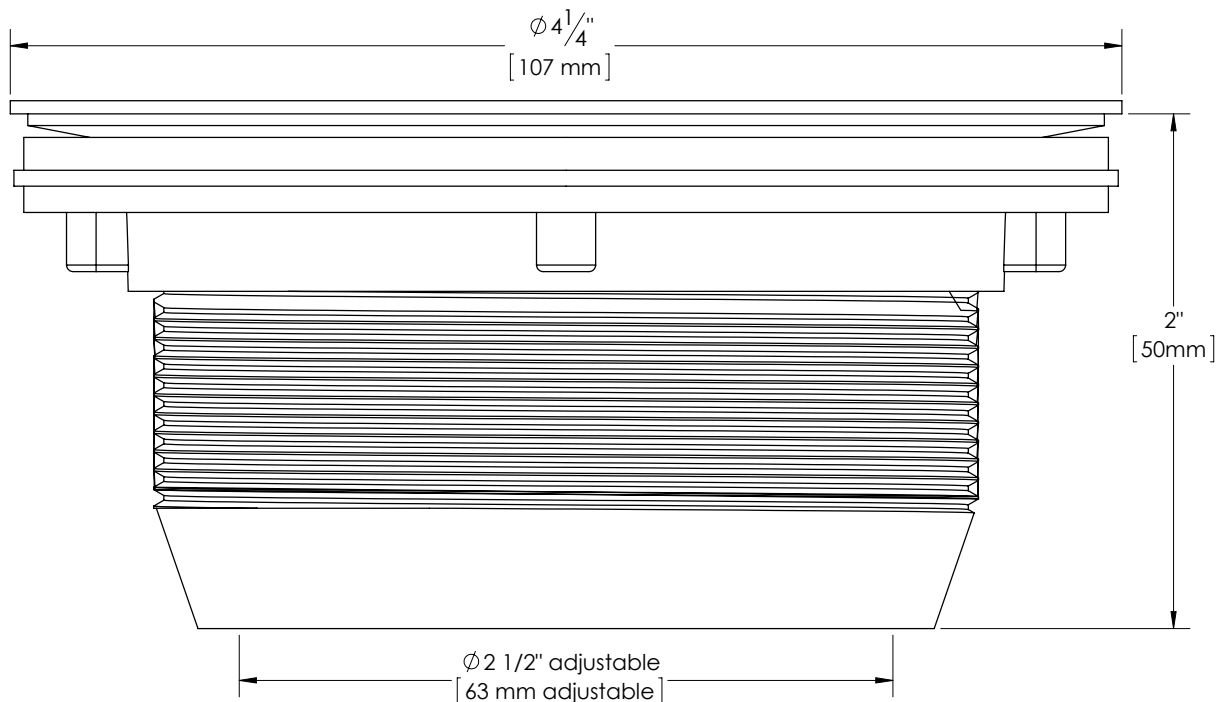
2" Brass round Shower Drain with compression ring for no caulk application. For molded shower bases made of fibreglass, acrylic, nylon or metal. Ideal for Slab Construction.

Certification



Features:

- Cast Brass Drain Body
- 4-1/4" diameter Stainless Steel Grate with Snap-Fit Tabs
- Ribbed Gasket compresses and seals around a 2" ABS, PVC or Cast Iron Schedule 40 DWV pipe. Not for use with 2" Copper DWV Pipe
- Fibre Washer, Rubber Washer, Lock Nut and Tightening Wrench included



Oakville Stamping and Bending Ltd.

2200 Speers Road, Oakville, ON, Canada. L6L 2X8.

T. 905.827.0320 or toll free 1.877.314.6040 F. 905.827.6375 or toll free 1.877.827.6040.

All rights reserved. OS&B™ reserves the right to change product specifications and material or discontinue models without notice.

www.osb.ca