



SD352-



Finish Suffix

2PC 2" PVC SIDE DISCHARGE SHOWER DRAIN FOR USE WITH MOLDED SHOWER BASES

Project Name: _____

Project Number: _____

Fixture #

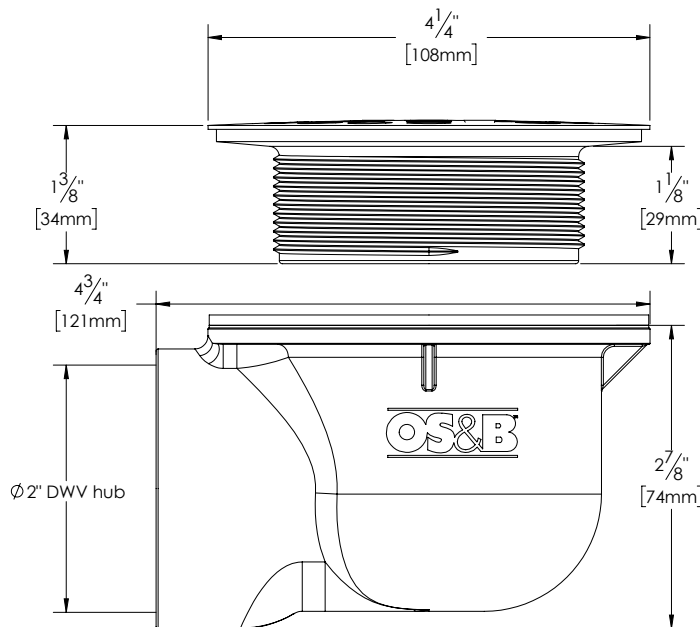
Description:

SHOWER DRAIN SHALL BE 2 PIECE 2" PVC SIDE DISCHARGE OUTLET ROUND WITH 2" PVC DWV HUB CONNECTION. 4-1/4" SCREW IN STAINLESS STEEL GRATE. SHOWER DRAIN FOR USE WITH MOLDED SHOWER BASES.

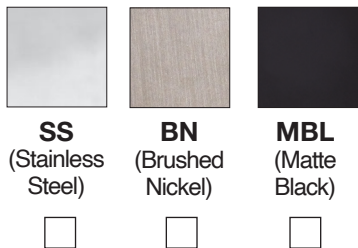
Certification



*The "cSAUS Meets UPC" mark means the product conforms to the requirements of the NPC, UPC, IPC and IRC.



SELECT FINISH SUFFIX BELOW AND TRANSPOSE ABOVE:



Oakville Stamping and Bending Ltd.

2200 Speers Road. Oakville, ON. Canada. L6L 2X8.

T. 905.827.0320 or toll free 1.877.314.6040 F. 905.827.6375 or toll free 1.877.827.6040.

All rights reserved. OS&B™ reserves the right to change product specifications and material or discontinue models without notice.

www.osb.ca (Canada) www.osbplumbing.com (USA)