



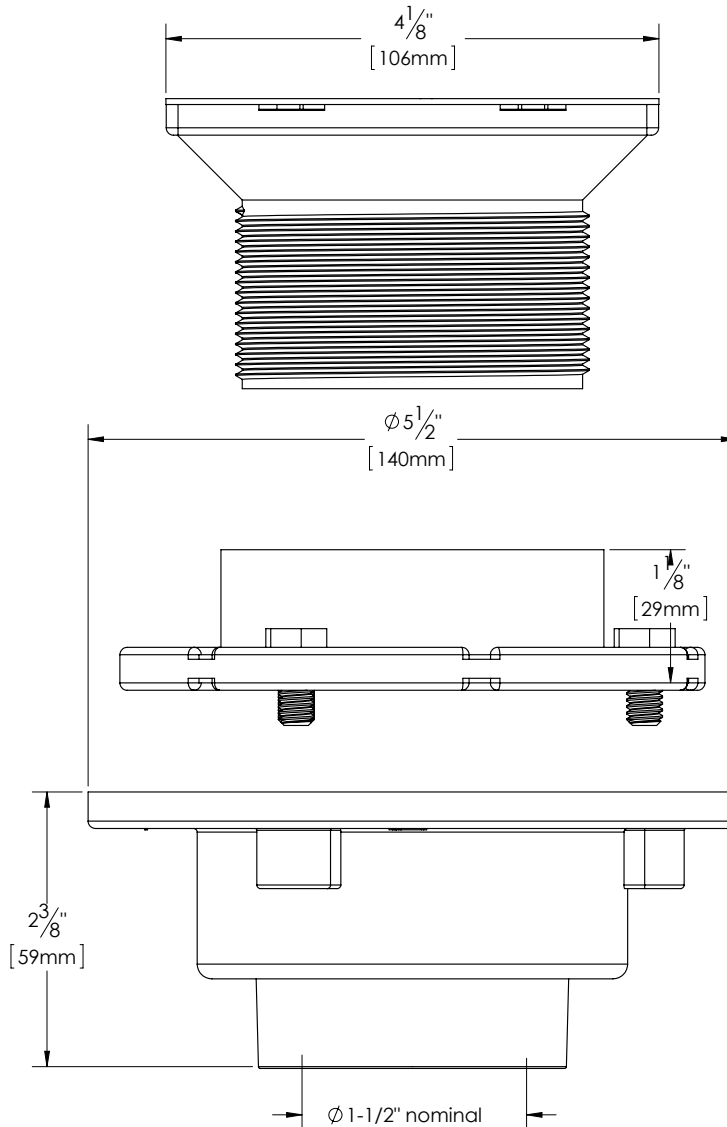
SD446-(BN/PB/SS/VB)

BABY TEAL 1-1/2" CAST IRON SQUARE SHOWER DRAIN

Description:

SHOWER DRAIN SHALL BE 1-1/2" TEAL CAST IRON BODY (IPT FEMALE THREAD), REVERSIBLE ABS CLAMPING COLLAR, 4-1/8" SQUARE SNAP-IN STAINLESS STEEL GRATE, THREAD-IN SQUARE FLANGE, FOR USE WITH SHOWER PAN LINER, CERTIFIED BY c-CSA-us.

Certification



Oakville Stamping and Bending Ltd.

2200 Speers Road, Oakville, ON, Canada, L6L 2X8.

T. 905.827.0320 or toll free 1.877.314.6040 F. 905.827.6375 or toll free 1.877.827.6040.

All rights reserved. OS&B™ reserves the right to change product specifications and material or discontinue models without notice.

www.osb.ca