



SD456-SS

1-1/2" SHOWER DRAIN

Project Name: _____

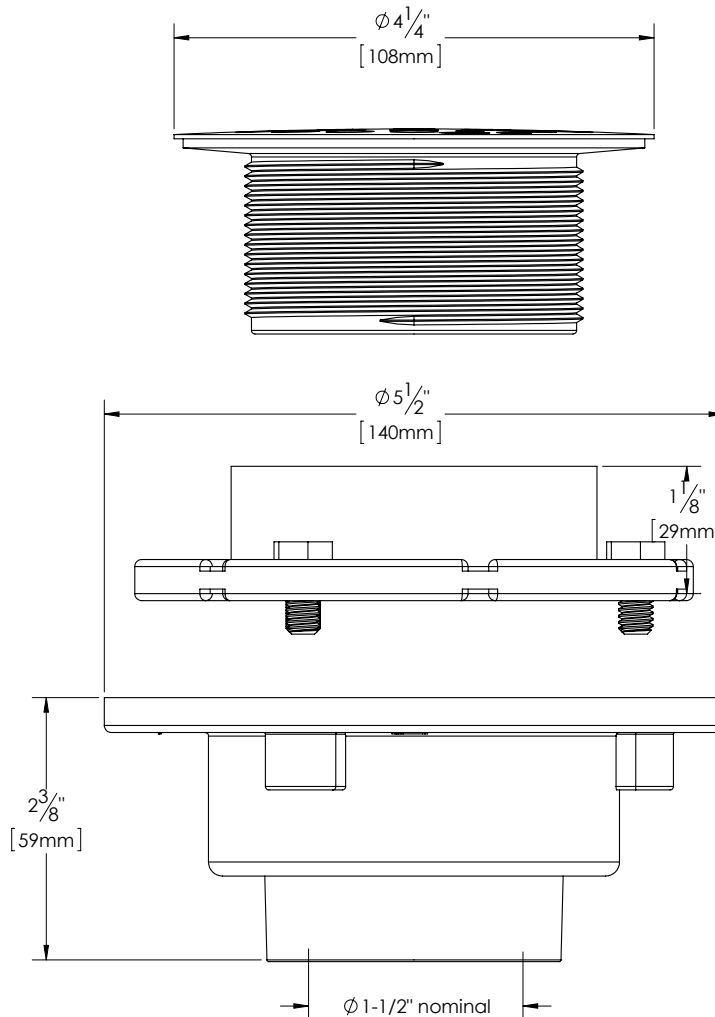
Project Number: _____

Fixture #

Description:

BABY TEAL 1-1/2" ROUND SHOWER DRAIN FOR USE WITH SHOWER PAN LINER. FEATURES A CAST IRON BODY WITH 1-1/2" IPT FEMALE THREAD CONNECTION, REVERSIBLE ABS CLAMPING COLLAR FOR INCREASE ADJUSTABILITY (2-1/4" MAX), 4-1/4" SCREW-IN SS GRATE AND THREAD-IN ROUND FLANGE.

Certification



Oakville Stamping and Bending Ltd.

2200 Speers Road. Oakville, Ont. Canada. L6L 2X8.

T. 905.827.0320 or toll free 1.877.314.6040 F. 905.827.6375 or toll free 1.877.827.6040.

All rights reserved. OS&B™ reserves the right to change product specifications and material or discontinue models without notice.

www.osb.ca (Canada) www.osbplumbing.com (USA)