

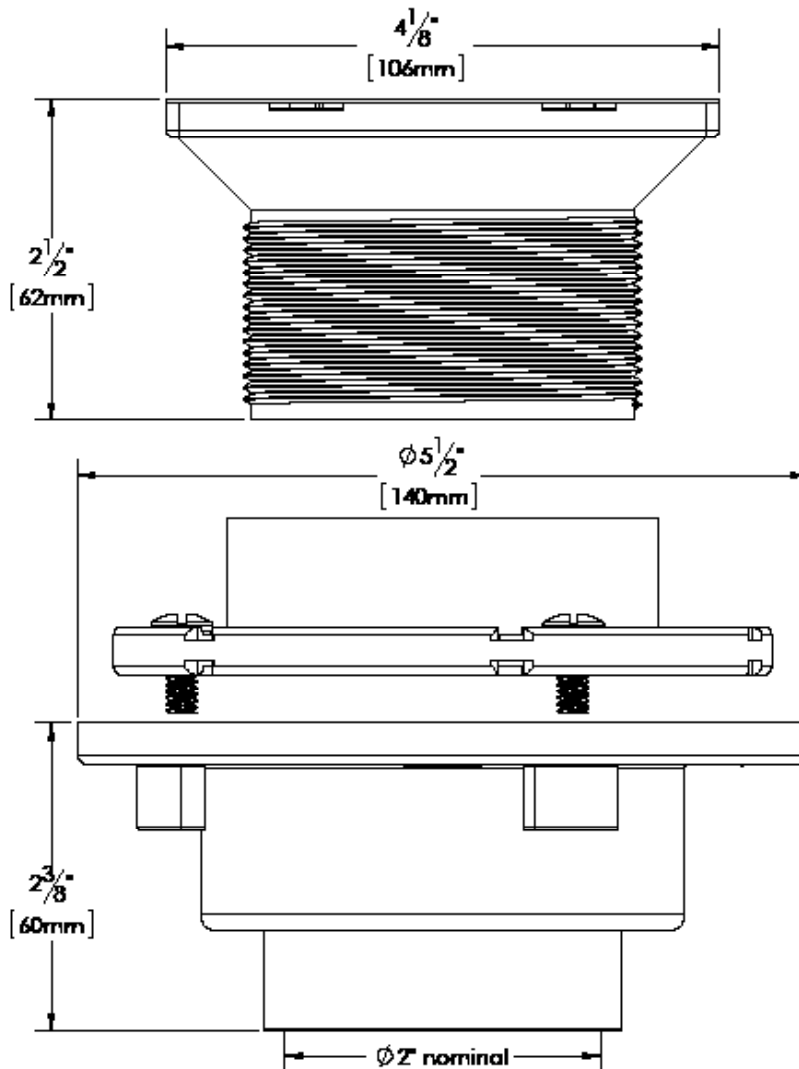
Description:

SHOWER DRAIN SHALL BE 2" ABS FOR SHOWER PAN LINER, EXTENDING REVERSIBLE PAN LINER CLAMP RING, BRASS CLAMP RING SCREWS, 4" X 4" SQUARE STAINLESS STEEL GRATE, FOR USE WITH SHOWER PAN LINER, CERTIFIED BY CSA

Certification



*The "cCSAus Meets UPC" mark means the product conforms to the requirements of the NPC, UPC, IPC and IRC.



Oakville Stamping and Bending Ltd.

2200 Speers Road. Oakville, ON. Canada. L6L 2X8.

T. 905.827.0320 or toll free 1.877.314.6040 F. 905.827.6375 or toll free 1.877.827.6040.

All rights reserved. OS&B™ reserves the right to change product specifications and material or discontinue models without notice.