



# ITD35 / ITD5135

ISLAND TUB DRAIN™ (ROUGH-IN) - TESTABLE

## Description:

Island Tub Drain™ (Testable Rough-in) for Freestanding Tubs

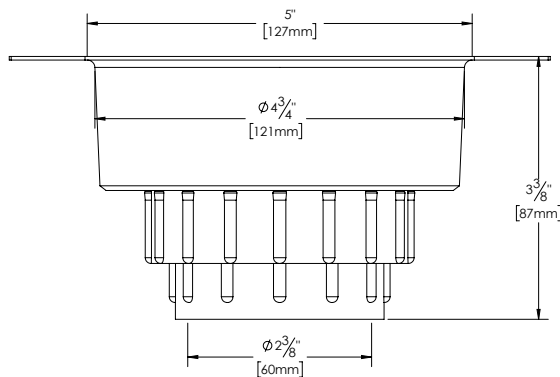
## Features:

- Asymmetric design 18 Gauge Epoxy coated Metal Deck Plate with holes to lock to Thinsset
- Snap off Test Cap
- Mortar/Tile Guard included
- ITD35 features an ABS Body/Tailpiece.
- ITD5135 features a White PVC Body/Tailpiece
- ITD( ) is a Freestanding Tub rough-in (install before tile installation)
- Designed to be installed in an 8" / 10" joist space with 1-1/2" / 2" P-Trap respectively. Can also be installed in a slab on grade application.
- Supplied with Flanged Brass Tailpiece and ABS or PVC Waste/Overflow Adaptor Kit
- **NOTE: Island Tub Drain™ IS NOT FOR USE with liquid applied or sheet membranes**
- **NOTE: Island Tub Drain™ MUST BE INSTALLED in a dry area with no potential for water contact**

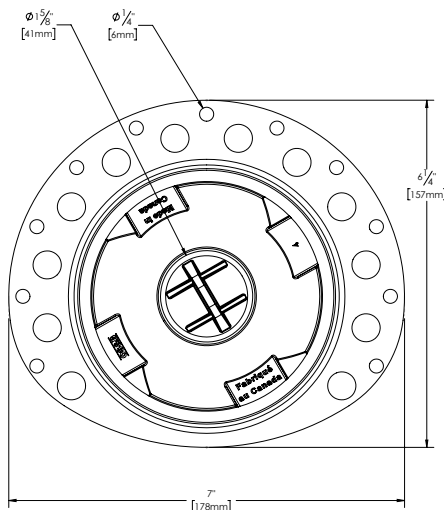
Certification\*



\*The "cSAUS Meets UPC" mark means the product conforms to the requirements of the NPC, UPC, IPC and IRC.



ITD35 (ABS)



ITD5135 (PVC)

**Oakville Stamping and Bending Ltd.**

2200 Speers Road, Unit C. Oakville, ON. Canada. L6L 2X8.

T. 905.827.0320 or toll free 1.877.314.6040 F. 905.827.6375 or toll free 1.877.827.6040.

All rights reserved. OS&B® reserves the right to change product specifications and material or discontinue models without notice.

**www.osb.ca (Canada) www.osbplumbing.com (USA)**