



# 2550RI-HK

FRZERO<sup>50</sup> 1-1/2" Schedule 40 FR PVC Bath W/O  
Rough-in Half Kit (less Tee)

Project Name: \_\_\_\_\_

Project Number: \_\_\_\_\_

Fixture #

## Description:

FR PVC Offset style 1-1/2" Schedule 40 Solvent Weld Bath Waste/Overflow Rough-in Half Kit (less Tee). Trim sold separately. Meets flame and smoke requirements of CAN/ULC S102.2-10 for non-combustible buildings (when approved PVC primer and solvent cement is used to make joints).

## Features:

- Half Kit (less Pipe, less Tee)
- Spin-on TiePlate

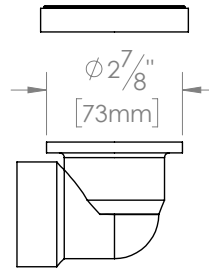
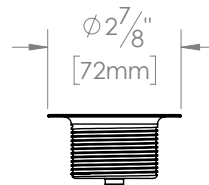
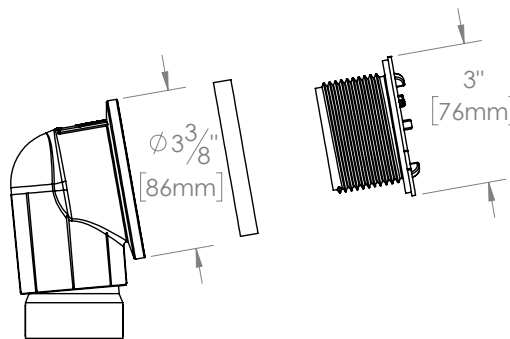
### Certification



\*The "cSAUS Meets UPC" mark means the product conforms to the requirements of the NPC, UPC, IPC and IRC.



CAN/ULC S102.2  
FSR 0 / SDC 40



### Oakville Stamping and Bending Ltd.

2200 Speers Road, Unit C. Oakville, ON. Canada. L6L 2X8.

T. 905.827.0320 or toll free 1.877.314.6040 F. 905.827.6375 or toll free 1.877.827.6040.

All rights reserved. OS&B® reserves the right to change product specifications and material or discontinue models without notice.